

CONTROL UNIT CU-1A/B, CU-2A/B



- ▶ Controls the functions of the conveyor
- ▶ Fully pneumatic
- ▶ The maximum recommended distance between the conveyor and control unit is 10 metres when feed pressure is 0.6 MPa
- ▶ Separate order for the tubing kit
- ▶ Function of the CU-1/2A: the bottom valve is open when the conveyor is shut off
- ▶ Function of the CU-1/2B: the bottom valve is closed when the conveyor is shut off
- ▶ Function of the CU-2: equipped with pipe emptying function between every conveying cycle

TECHNICAL DATA

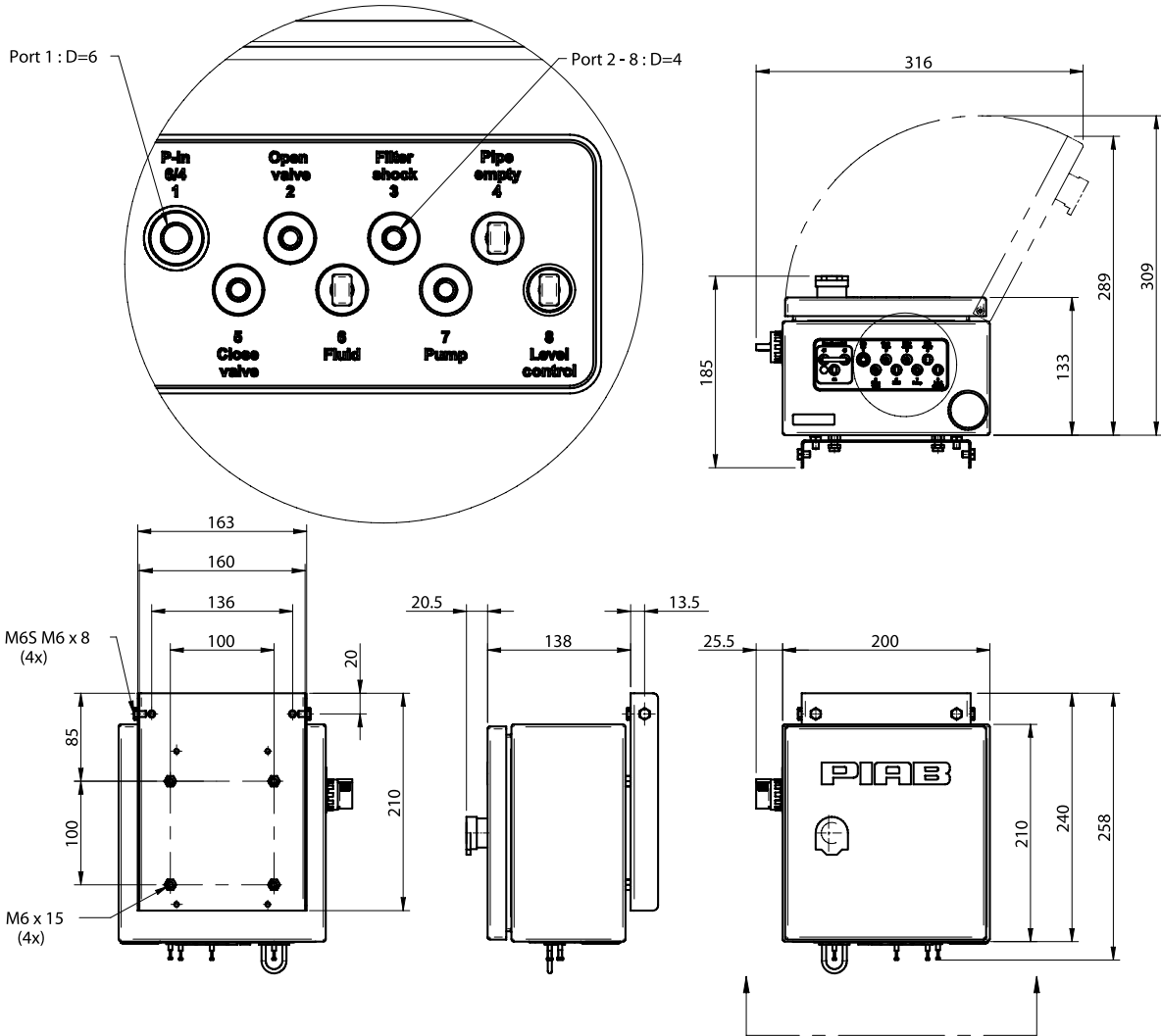
Description	Unit	Value
Feed pressure, range	MPa	0.4–0.6
Material		ASTM 316L
Temperature, range	°C	0–50
Safety classification		IP54

TECHNICAL DATA, SPECIFIC

Description	Unit	Value			
		0119894	0119895	0119896	0119897
Weight	kg	4.67	4.62	4.72	4.67

ORDERING INFORMATION

Description	Art. No.
Control unit CU-1A with mounting bracket	0119894
Control unit CU-1B with mounting bracket	0119895
Control unit CU-2A with mounting bracket	0119896
Control unit CU-2B with mounting bracket	0119897



Conveyors C
CONTROL UNITS

ORDERING INFORMATION, ACCESSORIES

Description	Art. No.
Nylon tubing kit, standard CU-C21	0106978
Nylon tubing kit, fluid, CU-C21	0106879
Nylon tubing kit, standard CU-C33	0103929
Nylon tubing kit, fluid, CU-C33	0103930
Nylon tubing kit, standard CU-C56	0106981
Nylon tubing kit, fluid, CU-C56	0106982
Remote control CU-1/2 Start/Stop with emergency stop	0103924
Nylon tubing kit, CU-Remote control	0108536
Nylon tubing kit, fluid CU-C2100-64	0117526
Nylon tubing kit, fluid CU-C2101-120	0122886