

piFLOW[®]p



- ▶ Easy to maintain and clean
- ▶ Designed mainly for industries handling food, chemical and pharmaceutical products
- ▶ Solution that contributes to dust-free conveying
- ▶ Steel quality ASTM 316L
- ▶ COAX[®] patented technology
- ▶ Low sound level
- ▶ The filter bag has filtration 5 µm
- ▶ Automatic filter cleaning
- ▶ Rubber and plastic materials in conveyor are antistatic
- ▶ All materials in contact with the conveyed product fulfil the requirements of FDA, USDA and 3-A

Technical data

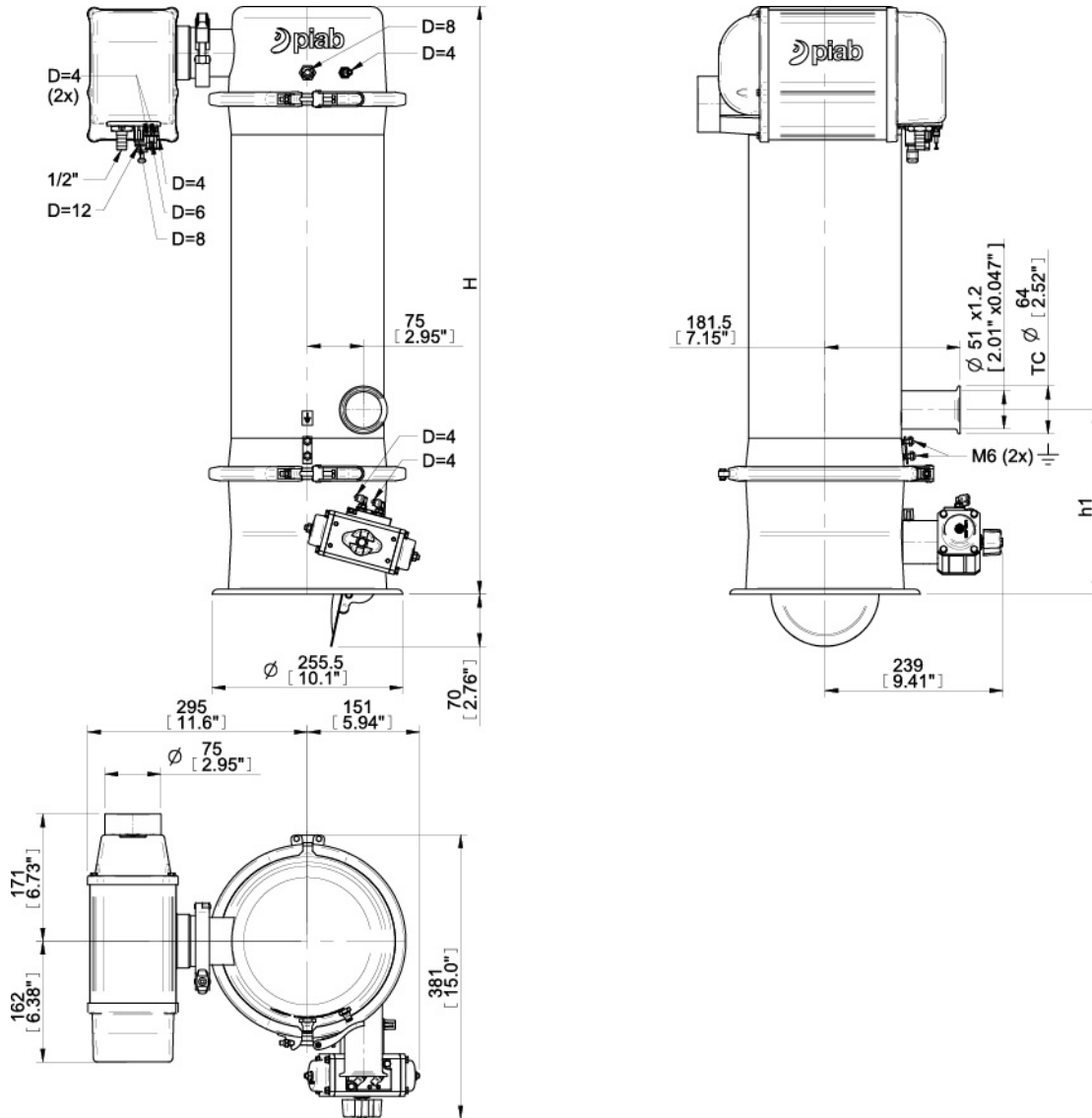
Description	Unit	Value
Material		ASTM 316L, EPDM, NBR, ePTFE, PET, PA, Al, SS, PP
Temperature range	°C	0-60
Weight	kg	20
Finish	Ra	0.6
Feed pressure, max.	MPa	0.7
Feed pressure range	MPa	0.4-0.6
Air consumption range	NI/s	5-7
Vacuum range	-kPa	60-75
Noise level range	dBA	69-77
Filter area	m ²	0.09
Min particle size	µm	5.0
Material batch volume	l	3
Feed pressure, max. - actuator	MPa	0.4
Feed pressure range - control	MPa	0.4-0.6

Vacuum flow

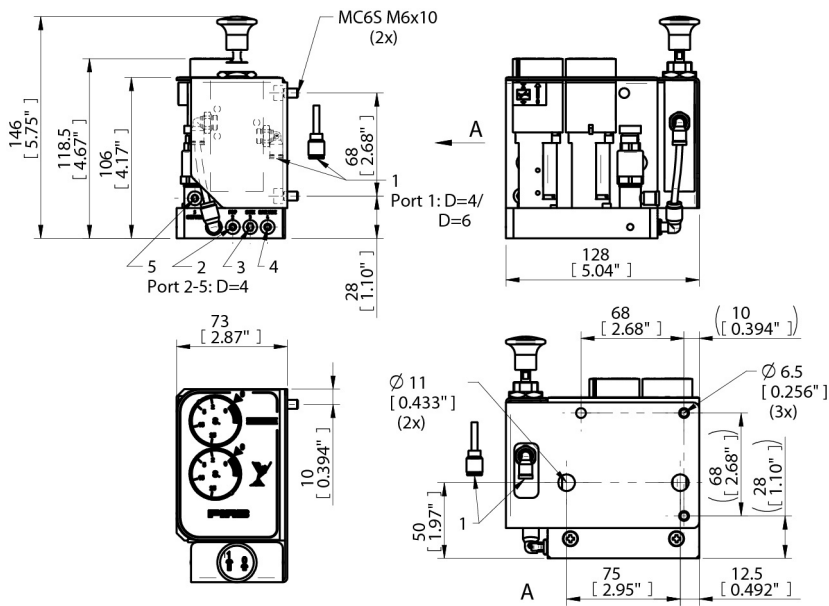
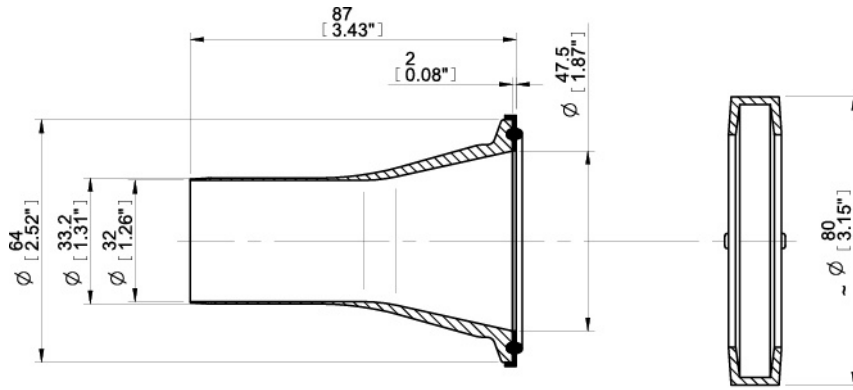
Feed pressure MPa	Air consumption NI/s	Vacuum flow (NI/s) at different vacuum levels (-kPa)									Max vacuum -kPa
		0	10	20	30	40	50	60	70		
0.40	5	20.0	11.6	7.6	4.8	3.2	1.6	0.40	-	60	
0.50	6	22.8	13.2	8.8	5.6	3.4	2.5	1.4	0.72	70	
0.60	7	24.0	14.0	10.4	6.8	3.6	2.4	2.0	1.4	75	

Ordering information

Description	Product code
piFLOW®p, piPREMIUM100, Textile filter 02, Hose Inlet Ø 32(1 1/4"), Volume 3L, Cone opening, Control PPT/RS, Antistatic & AL, No special documentation, Manual GB	P.P100.TX2.32.3.C.RS.AAL.0.GB



H	643 [25.3"]
h1	247 [9.72"]



Ordering information, recommended spare parts

Description	Art. No.
Textile filter D=125 L=220	0115355
Filter seal 125 NBR	0103953/1
Module Filter plate seal 21 NBR	0103947/1

Ordering information, recommended accessories

Description	Art. No.
Pinch valve DN32 (8 bar)	3404607
Pipe bend D=32 R=320 90° SS	3404612
Pipe fitting 32 x 32	3404136
Pipe fitting Y 3 x 32	3404146
Pipe line emptying unit 32	0121504
Feed adapter cpl	0117679
Feed adapter cpl NBR	0117663
Feed nozzle 32	3404001
Feed station C 40 L NBR	0117673
Filter regulator to pump 1/2"	0104490
Container module 21/16	0104396
Container module 21/9	0104397
Container 21/9	0104395
Mounting girdle cpl. 21	0128721
Flange for welding 21/2	0107851