

## B110-2



### Suction cup with short bellows and filter

- ▶ Suitable for level adjustment. Several short bellows in one lifting device can handle objects with height differences and varying shapes, for example embossed or corrugated plates.
- ▶ Lifting movement to separate small and thin objects.
- ▶ Only lightweight objects should be handled when the lifting force is parallel to the surface of the object, in order to achieve good precision and safe lifting movement.

### Lifting forces & Technical data

Lifting force vertical to the surface, N, at vacuum level			Lifting force parallel to the surface, N, at vacuum level			Volume cm <sup>3</sup>	Min. curve radius mm	Max. vertical movement mm	Weight rubber part g
20 -kPa	60 -kPa	90 -kPa	20 -kPa	60 -kPa	90 -kPa				
137	343	461	—	—	—	310	60	35	120

### Material specifications

Material	Colour	Hardness °Shore A	Temperature range °C
Nitrile-PVC, NPV	Black	50	0–90*
Silicone, SIL	Red	50	-40–200*

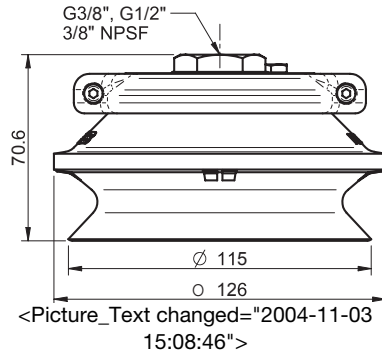
\* Filter disc max. 80 °C

### Material resistance

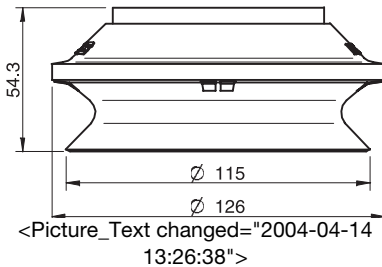
Material	Wear resistance	Oil	Weather & Ozone	Hydrolysis	Petrol	Concentrated acids	Alcohol	Oxidation
Nitrile-PVC, NPV	Excellent	Excellent	Good	Good	Excellent	Fair	Good	Good
Silicone, SIL	Good	Poor	Excellent	Fair	Poor	Poor	Good	Excellent

## Ordering information

Complete suction cups	Art. No.
Suction cup B110-2 Nitrile-PVC with filter, G3/8" female, with mesh filter	0101902
Suction cup B110-2 Nitrile-PVC with filter, 3/8" NPSF female, with mesh filter	0101903
Suction cup B110-2 Nitrile-PVC with filter, G1/2" female, with mesh filter	0101904
Suction cup B110-2 Silicone with filter, G3/8" female, with mesh filter	0101896
Suction cup B110-2 Silicone with filter, 3/8" NPSF female, with mesh filter	0101897
Suction cup B110-2 Silicone with filter, G1/2" female, with mesh filter	0101898



Rubber parts	Art. No.
Suction cup B110-2 Nitrile-PVC with filter	0101944
Suction cup B110-2 Silicone with filter	0101945



Fittings	Art. No.
Fitting 110 G3/8" female, with mesh filter	0100557
Fitting 110, G1/2" female, with mesh filter	0100561
Fitting 110, 3/8" NPSF female, with mesh filter	0100559

Spare Part	Material	Temperature range °C	Art. No.
Filter for B110-2	Polyethylene, PE	-40-80	3150249