

B30-2



SUCTION CUP WITH SHORT BELLOWS

- ▶ Suitable for level adjustment. Several short bellows in one lifting device can handle objects with height differences and varying shapes, for example embossed or corrugated plates.
- ▶ The lifting movement can be used to separate small and thin objects.
- ▶ Only lightweight objects should be handled when the lifting force is parallel to the surface of the object, in order to achieve good precision and safe lifting movement.

LIFTING FORCES & TECHNICAL DATA

Lifting force vertical to the surface, N, at vacuum level			Lifting force parallel to the surface, N, at vacuum level			Volume	Min. curve radius	Max. vertical movement	Weight rubber part
20 -kPa	60 -kPa	90 -kPa	20 -kPa	60 -kPa	90 -kPa	cm ³	mm	mm	g
12.0	22.0	27	—	—	—	10	15	15	7.0

MATERIAL SPECIFICATIONS

Material	Colour	Hardness °Shore A	Temperature range °C
Chloroprene, CR	Black	60	-40–110
Silicone, SIL	Red	50	-40–200
HNBR	Grey-blue	75	-30–140*

*For a shorter period of time up to 160 °C.

MATERIAL RESISTANCE

Material	Wear resistance	Oil	Weather & Ozone	Hydrolysis	Petrol	Concentrated acids	Alcohol	Oxidation
Chloroprene, CR	Excellent	Fair	Good	Good	Fair	Poor	Good	Good
Silicone, SIL	Good	Poor	Excellent	Fair	Poor	Poor	Good	Excellent
HNBR	Excellent	Excellent	Excellent	Good	Excellent	Fair	Good	Excellent

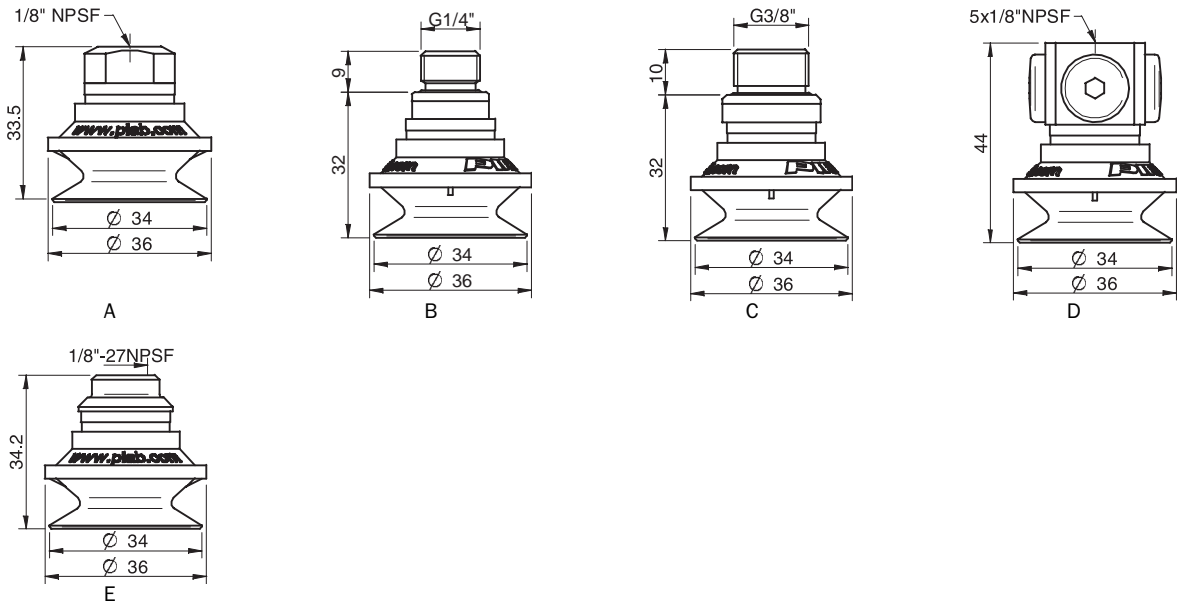
ORDERING INFORMATION

	Complete suction cups	Art. No.
A	Suction cup B30-2 Chloroprene, 1/8" NPSF female, with mesh filter	0101423
A	Suction cup B30-2 Chloroprene, 1/8" NPSF female, with dual flow control valve	0101424
B	Suction cup B30-2 Chloroprene, G1/4" male, with mesh filter	0101418
B	Suction cup B30-2 Chloroprene, G1/4" male, with mesh filter dual flow control valve	0101425
C	Suction cup B30-2 Chloroprene, G3/8" male, with mesh filter	0101420
C	Suction cup B30-2 Chloroprene, G3/8" male, with mesh filter and dual flow control valve	0101427
D	Suction cup B30-2 Chloroprene, 5x1/8" NPSF female	0101422
A	Suction cup B30-2 Silicone, 1/8" NPSF female, with mesh filter	0101436
A	Suction cup B30-2 Silicone, 1/8" NPSF female, with dual flow control valve	0101437
B	Suction cup B30-2 Silicone, G1/4" male, with mesh filter	0101431
B	Suction cup B30-2 Silicone, G1/4" male, with mesh filter and dual flow control valve	0101438
C	Suction cup B30-2 Silicone, G3/8" male, with mesh filter	0101433
C	Suction cup B30-2 Silicone, G3/8" male, with mesh filter and dual flow control valve	0101440
D	Suction cup B30-2 Silicone, 5x1/8" NPSF female	0101435
D	Suction cup B30-2 Silicone, 5x1/8" NPSF female, with dual flow control valve	0101442
A	Suction cup B30-2 HNBR, 1/8" NPSF female, with mesh filter	0108078
B	Suction cup B30-2 HNBR, G1/4" male, with mesh filter	0108167
C	Suction cup B30-2 HNBR, G3/8" male, with mesh filter	0108168

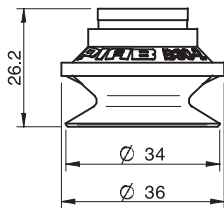
SUCTION CUPS B



Complete suction cups		Art. No.
E	Suction cup B30-2 Chloroprene, 1/8" NPSF female, PA	0109845
E	Suction cup B30-2 Silicone, 1/8" NPSF female, PA	0110343



Rubber parts		Art. No.
	Suction cup B30-2 Chloroprene	0101103
	Suction cup B30-2 Silicone	0101104
	Suction cup B30-2 HNBR	0108077



Fittings		Art. No.
	Fitting 1/8" NPSF female, 30–40, with mesh filter	0101153
	Fitting 1/8" NPSF female, 30–40, with dual flow control valve	3251006
	Fitting G1/4" male, 30–40, with mesh filter	3250091
	Fitting G1/4" male, 30–40, with mesh filter and dual flow control valve	3251007
	Fitting G3/8" male, 30–40, with mesh filter	3250086
	Fitting G3/8" male, 30–40, with mesh and dual flow control valve	3251009
	Fitting 5x1/8" NPSF female, 30–40	0100261
	Fitting 5x1/8" NPSF female, 30–40, with dual flow control valve	3251011
	Fitting 1/8" NPSF female, 30–40, PA	3150197

For further information and dimensioned drawings, see *SUCTION CUPS FITTINGS* chapter.

Suction cups B