

BX20P



Suction cup with 2½ bellows

- ▶ Suitable for level adjustment and for uneven and porous surfaces such as cardboard, etc.
- ▶ In the two-coloured suction cup the bellows and the sealing lip are of different hardnesses, which makes the suction cup strong and stable and, at the same time, soft and flexible.
- ▶ DURAFLEX® suction cups manufactured in a specially developed material that features the elasticity of rubber and wear resistance of polyurethane.
- ▶ The material DURAFLEX® is mark free.

Lifting forces & Technical data

Material	Lifting force vertical to the surface, N, at vacuum level			Lifting force parallel to the surface, N, at vacuum level			Volume cm ³	Min. curve radius mm	Max. vertical movement mm	Weight rubber part g
	20 -kPa	60 -kPa	90 -kPa	20 -kPa	60 -kPa	90 -kPa				
PU30°/60°	4.8	7.0	11.0	—	—	—	1.16	8.5	6.5	1.43
PU60°	4.5	7.0	9.5	—	—	—	1.16	10.0	6.5	1.43

Material specifications

Material	Colour	Hardness °Shore A	Temperature range °C
Polyurethane, PU30	Yellow transparent	30	10–50
Polyurethane, PU60	Green transparent	60	10–50

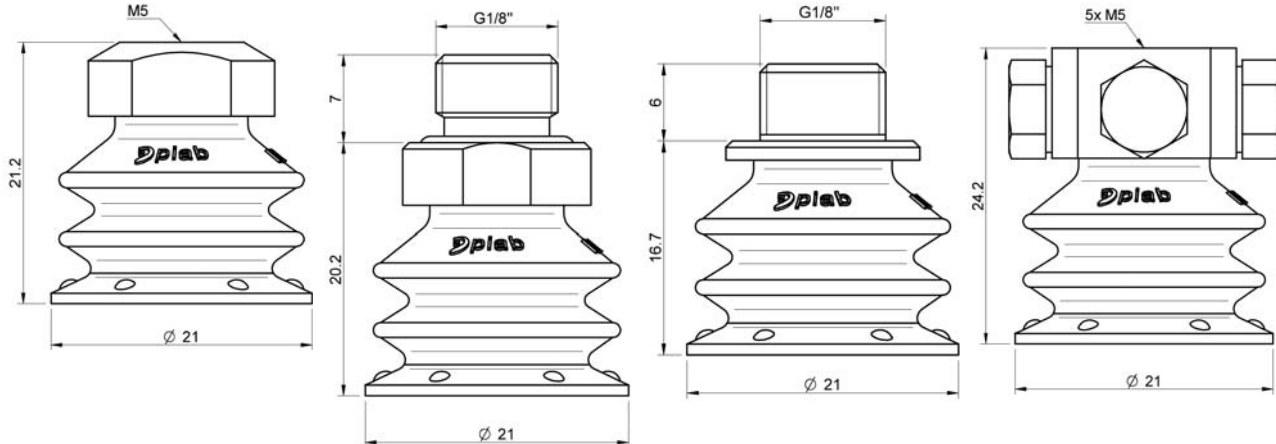
Material resistance

Wear resistance	Oil	Weather & ozone	Hydrolysis	Petrol	Concentrated acids	Ethanol	Methanol	Oxidation
Excellent	Excellent	Excellent	Fair**	Fair	Fair**	Fair	Poor	Poor

**Please contact Piab.

Ordering information

Complete suction cups		Art. No.
A	Suction cup BX20P Polyurethane 30/60, M5 female	0125104
B	Suction cup BX20P Polyurethane 30/60, G1/8" male	0125108
C	Suction cup BX20P Polyurethane 30/60, G1/8" male / M5 female	0125105
C	Suction cup BX20P Polyurethane 30/60, G1/8" male / M5 female, with dual flow control valve	0125106
D	Suction cup BX20P Polyurethane 30/60, 5xM5 female	0125107
A	Suction cup BX20P Polyurethane 60, M5 female	0125109
B	Suction cup BX20P Polyurethane 60, G1/8" male	0125112
C	Suction cup BX20P Polyurethane 60, G1/8" male / M5 female	0125110
D	Suction cup BX20P Polyurethane 60, 5xM5 female	0125111



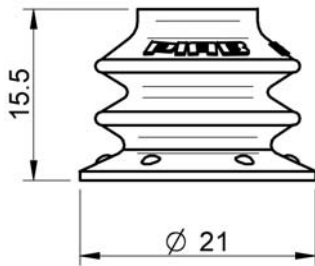
<Picture_Text changed="2010-11-12 10:52:53">A

<Picture_Text changed="2011-02-02 21:17:51">B

<Picture_Text changed="2011-02-02 21:16:57">C

<Picture_Text changed="2011-02-02 21:17:33">D

Rubber parts		Art. No.
Suction cup BX20P Polyurethane 30/60		0118507
Suction cup BX20P Polyurethane 60		0124249



Fittings		Art. No.
Fitting M5 female		3250003
Fitting G1/8" male, with mesh filter		3250085
Fitting 1/8" NPT male, with mesh filter		3250088
Fitting G1/8" male/M5 female, with mesh filter		0101152
Fitting G1/8" male/M5 female, with dual flow control valve		3251004
Fitting 5xM5 female		0100260

DURAFLEX®
Single and dual