

## OF15x45P with swivel fitting



### Flat, oval suction cup with cleats

- ▶ Suitable for flat and rough surfaces.
- ▶ Fair stability and little inherent movement.
- ▶ Recommended when the lifting force is parallel to the surface of the object.
- ▶ Cleats prevent thin, sensitive objects from being deformed and give extra friction when the lifting force is parallel to the surface of the object.
- ▶ DURAFLEX® are suction cups manufactured in a specially developed material that features the elasticity of rubber and wear resistance of polyurethane. The material does not leave any marks on the objects handled.
- ▶ Swivel option, prior to the locking operation, for easy positioning of the oval cup.

### Lifting forces & Technical data

| Lifting force vertical to the surface, N, at vacuum level |         |         | Lifting force parallel to the surface, N, at vacuum level |         |         | Volume<br>cm <sup>3</sup> | Min. curve<br>radius<br>mm | Max.<br>vertical<br>movement<br>mm | Weight<br>with fitting<br>g |
|---|---------|---------|---|---------|---------|---------------------------|----------------------------|------------------------------------|-----------------------------|
| 20 -kPa   | 60 -kPa | 90 -kPa | 20 -kPa   | 60 -kPa | 90 -kPa |                           |                            |                                    |                             |
| 9.0   | 27      | 41      | 6.0   | 20.0    | 34      | 1.0                       | 30                         | 1.0                                | 8.25                        |

### Material specifications

| Material           | Colour           | Hardness<br>°Shore A | Temperature range<br>°C |
|--------------------|------------------|----------------------|-------------------------|
| Polyurethane, PU50 | Blue transparent | 50                   | 10–50                   |

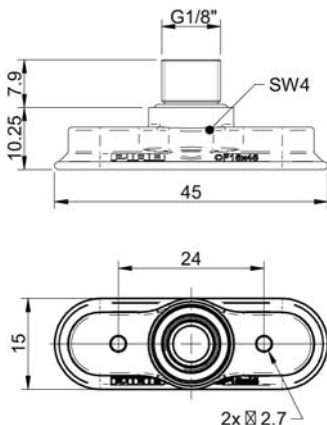
### Material resistance

| Wear<br>resistance | Oil       | Weather<br>& ozone | Hydrolysis | Petrol | Concentrated<br>acids | Ethanol | Methanol | Oxidation |
|--------------------|-----------|--------------------|------------|--------|-----------------------|---------|----------|-----------|
| Excellent          | Excellent | Excellent          | Fair**     | Fair   | Fair**                | Fair    | Poor     | Poor      |

\*\*Please contact Piab.

### Ordering information

| Complete suction cups                            | Art. No. |
|--|----------|
| Suction cup OF15x45P Polyurethane 50, G1/8" male | 0115285  |





DURAFLEX®  
Single and dual