

OF40x110P



Flat, oval suction cup with cleats

- ▶ Suitable for flat and rough surfaces.
- ▶ Fair stability and little inherent movement.
- ▶ Recommended when the lifting force is parallel to the surface of the object.
- ▶ Cleats prevent thin, sensitive objects from being deformed and give extra friction when the lifting force is parallel to the surface of the object.
- ▶ DURAFLEX® are suction cups manufactured in a specially developed material that features the elasticity of rubber and wear resistance of polyurethane. The material does not leave any marks on the objects handled.

Lifting forces & Technical data

| Material | Lifting force vertical to the surface, N, at vacuum level | | | Lifting force parallel to the surface, N, at vacuum level | | | Volume cm ³ | Min. curve radius mm | Max. vertical movement mm | Weight rubber part g |
|----------|---|---------|---------|---|---------|---------|---------------------------|-------------------------|------------------------------|-------------------------|
| | 20 -kPa | 60 -kPa | 90 -kPa | 20 -kPa | 60 -kPa | 90 -kPa | | | | |
| PU40° | 69 | 203 | 293 | 120 | 230 | 296 | 21.0 | 77 | 3.1 | 48 |
| PU60° | 74 | 200 | 303 | 98 | 228 | 410 | 21.0 | 77 | 3.1 | 48 |

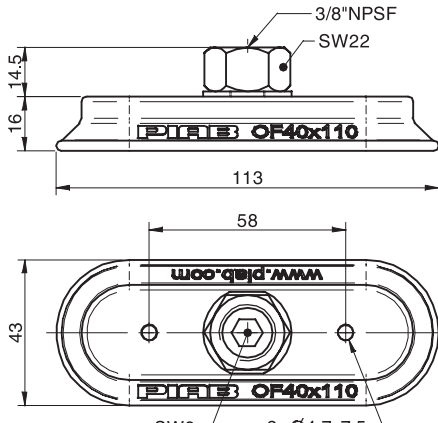
Material resistance

| Wear resistance | Oil | Weather & ozone | Hydrolysis | Petrol | Concentrated acids | Ethanol | Methanol | Oxidation |
|-----------------|-----------|-----------------|------------|--------|--------------------|---------|----------|-----------|
| Excellent | Excellent | Excellent | Fair** | Fair | Fair** | Fair | Poor | Poor |

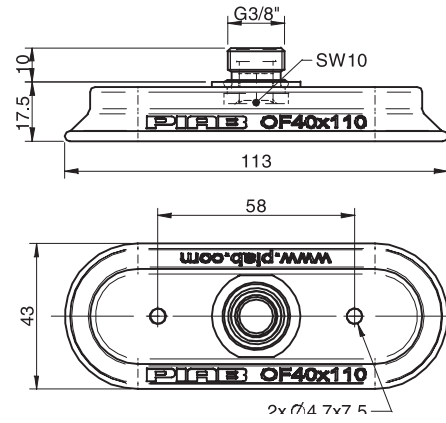
**Please contact Piab.

Ordering information

| | Complete suction cups | Art. No. |
|---|---|----------|
| A | Suction cup OF40x110P Polyurethane 40, 3/8" NPSF female | 0109851 |
| B | Suction cup OF40x110P Polyurethane 40, thread insert G3/8" male, with mesh filter | 0109850 |
| A | Suction cup OF40x110P Polyurethane 60, 3/8" NPSF female | 0108265 |
| B | Suction cup OF40x110P Polyurethane 60, thread insert G3/8" male, with mesh filter | 0108263 |

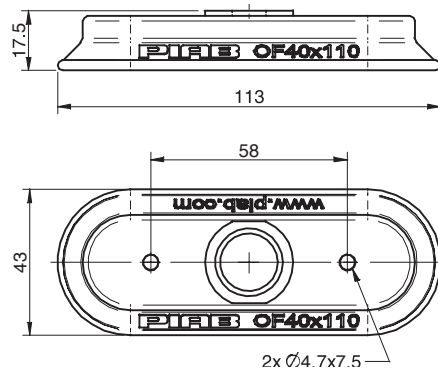


<Picture_Text changed="2004-04-28 11:57:05">A



<Picture_Text changed="2004-04-28 11:57:22">B

| | Rubber parts | Art. No. |
|--|---------------------------------------|----------|
| | Suction cup OF40x110P Polyurethane 40 | 0109907 |
| | Suction cup OF40x110P Polyurethane 60 | 0109906 |



| | Fittings | Art. No. |
|--|---|----------|
| | Thread insert G3/8" male, with O-ring and mesh filter | 0107148 |

DURAFLEX®
Single and dual