

OF70x175P



Flat, oval suction cup with cleats

- ▶ Suitable for flat and rough surfaces.
- ▶ Fair stability and little inherent movement.
- ▶ Recommended when the lifting force is parallel to the surface of the object.
- ▶ Cleats prevent thin, sensitive objects from being deformed and give extra friction when the lifting force is parallel to the surface of the object.
- ▶ DURAFLEX® are suction cups manufactured in a specially developed material that features the elasticity of rubber and wear resistance of polyurethane. The material does not leave any marks on the objects handled.

Lifting forces & Technical data

Material	Lifting force vertical to the surface, N, at vacuum level			Lifting force parallel to the surface, N, at vacuum level			Volume cm ³	Min. curve radius mm	Max. vertical movement mm	Weight rubber part g
	20 -kPa	60 -kPa	90 -kPa	20 -kPa	60 -kPa	90 -kPa				
PU40°	190	530	785	170	440	630	80	130	5.7	193
PU60°	180	570	860	200	555	750	80	130	5.7	193

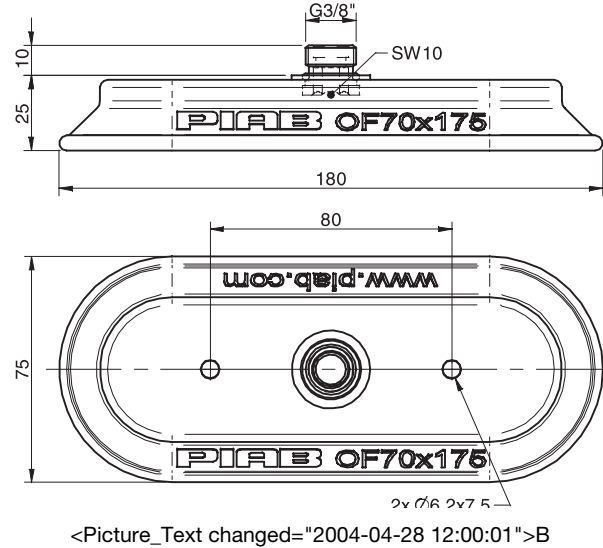
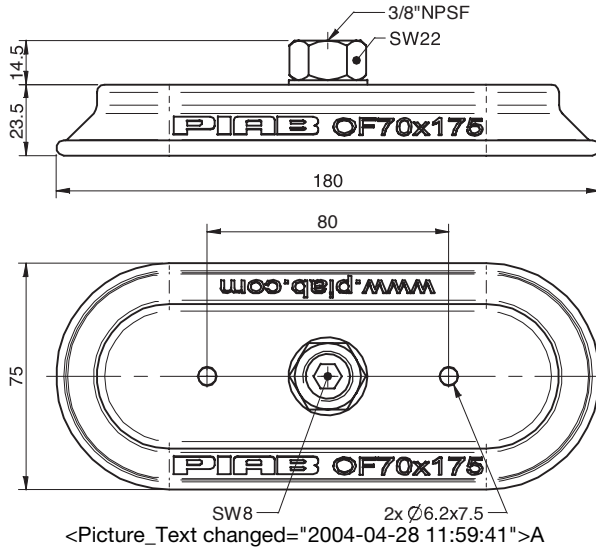
Material resistance

Wear resistance	Oil	Weather & ozone	Hydrolysis	Petrol	Concentrated acids	Ethanol	Methanol	Oxidation
Excellent	Excellent	Excellent	Fair**	Fair	Fair**	Fair	Poor	Poor

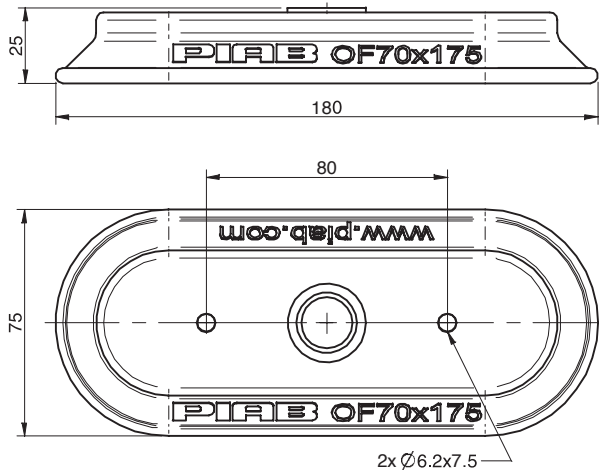
**Please contact Piab.

Ordering information

Complete suction cups		Art. No.
A	Suction cup OF70x175P Polyurethane 40, 3/8" NPSF female	0109855
B	Suction cup OF70x175P Polyurethane 40, thread insert G3/8" male, with mesh filter	0109854
A	Suction cup OF70x175P Polyurethane 60, 3/8" NPSF female	0108264
B	Suction cup OF70x175P Polyurethane 60, thread insert G3/8" male, with mesh filter	0108671



Rubber parts		Art. No.
Suction cup OF70x175P Polyurethane 40		0109911
Suction cup OF70x175P Polyurethane 60		0109910



Fittings		Art. No.
Thread insert G3/8" male, with O-ring and mesh filter		0107148

DURAFLEX®
Single and dual