

Pinch valves



Technical data

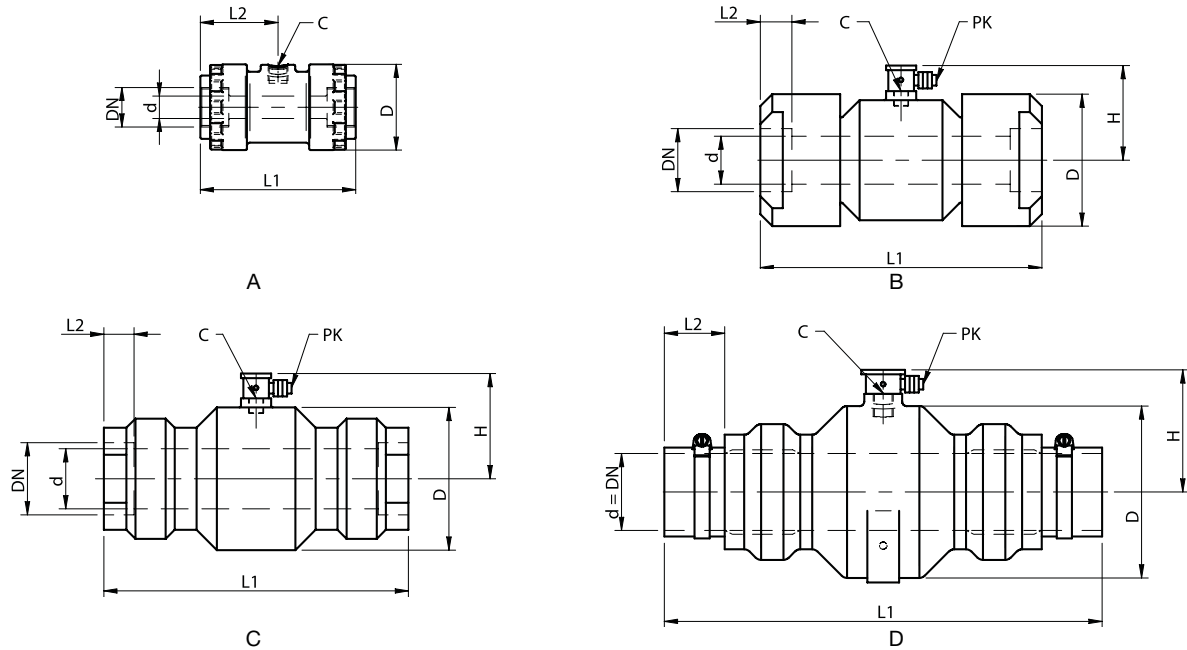
Description	Unit	Value
Feed pressure, max	MPa	0.4
Feed pressure, closing	MPa	0.18–0.20
Temperature	°C	0–60

Technical data, specific

Description	Art. No.	Material	Weight kg
Pinch valve DN20 (4 bar) internal thread	3404676	PP, EPDM	0.180
Pinch valve DN32 (4 bar) internal thread	3404677	PP, EPDM	0.500
Pinch valve DN25 (8 bar) internal thread	3404624	Al, Crude rubber	0.400
Pinch valve DN32 (8 bar) internal thread	3404607	Al, Crude rubber	1.04
Pinch valve DN40 (8 bar) internal thread	3404625	Al, Crude rubber	1.45
Pinch valve DN50 (8 bar) internal thread	3404626	Al, Crude rubber	1.45
Pinch valve DN65 (8 bar) internal thread	3404627	Al, Crude rubber	1.45
Pinch valve DN80 (8 bar) internal thread	3404628	Al, Crude rubber	1.60
Pinch valve DN40 (4 bar) hoses	3404629	Al, Crude rubber	1.45
Pinch valve DN50 (4 bar) hoses	3404630	Al, Crude rubber	1.45
Pinch valve DN65 (4 bar) hoses	3404631	Al, Crude rubber	4.24
Pinch valve DN80 (4 bar) hoses	3404632	Al, Crude rubber	2.70
Pinch valve DN100 (4 bar) hoses	3404678	Al, Crude rubber	8.25

Ordering information

	Description	Art. No.
A	Pinch valve DN20 (4 bar) internal thread	3404676
A	Pinch valve DN32 (4 bar) internal thread	3404677
B	Pinch valve DN25 (8 bar) internal thread	3404624
B	Pinch valve DN32 (8 bar) internal thread	3404607
C	Pinch valve DN40 (8 bar) internal thread	3404625
C	Pinch valve DN50 (8 bar) internal thread	3404626
C	Pinch valve DN65 (8 bar) internal thread	3404627
C	Pinch valve DN80 (8 bar) internal thread	3404628
D	Pinch valve DN40 (4 bar) hoses	3404629
D	Pinch valve DN50 (4 bar) hoses	3404630
D	Pinch valve DN65 (4 bar) hoses	3404631
D	Pinch valve DN80 (4 bar) hoses	3404632
D	Pinch valve DN100 (4 bar) hoses	3404678



Dimensions

Description	d mm	D mm	L1 mm	H mm	PK mm	DN G"	L2 mm	C G"
Pinch valve DN20 (4 bar) internal thread	15	57	103	—	—	3/4"	18	1/4"
Pinch valve DN32 (4 bar) internal thread	30	89	140	—	—	1 1/4"	22	1/4"
Pinch valve DN25 (8 bar) internal thread	25	65	152	55	6	1"	21	1/8"
Pinch valve DN32 (8 bar) internal thread	32	88	189	63	6	1 1/4"	21	1/8"
Pinch valve DN40 (8 bar) internal thread	40	95	202	70	6	1 1/2"	20	1/8"
Pinch valve DN50 (8 bar) internal thread	50	114	210	81	8	2"	20	1/4"
Pinch valve DN65 (8 bar) internal thread	65	140	240	94	8	2 1/2"	20	1/4"
Pinch valve DN80 (8 bar) internal thread	80	160	285	109	8	3"	20	1/4"
Pinch valve DN40 (4 bar) hoses	40	95	282	70	6	Ø40	40	1/8"
Pinch valve DN50 (4 bar) hoses	50	114	290	81	6	Ø 50	40	1/4"
Pinch valve DN65 (4 bar) hoses	65	140	340	94	8	Ø 65	50	1/4"
Pinch valve DN80 (4 bar) hoses	80	160	385	109	8	Ø 80	50	1/4"
Pinch valve DN100 (4 bar) hoses	100	210	440	127	8	Ø 100	50	1/2"