

L100



- ▶ Large vacuum flows
- ▶ Short evacuation time
- ▶ Good for handling porous materials or if leakage is present
- ▶ Energy-Saving (ES) available
- ▶ Available with connection plate in aluminium (AD) and composite PPS (D).

Supplied with a push-in connector for compressed air, through-flow silencer and mounting brackets (see Accessories).

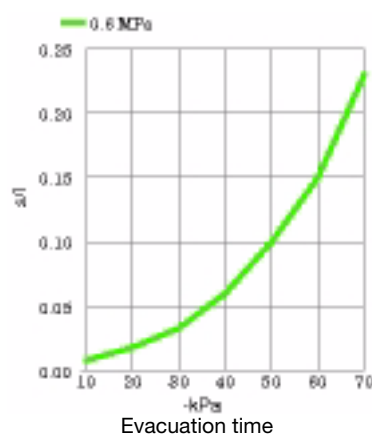
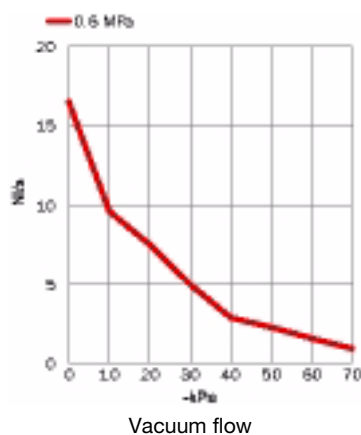
Technical data

Description	Unit	Value
Feed pressure, max.	MPa	0.7
Noise level	dBA	60–65
Temperature range	°C	-20–80
Weight	g	800–1065
Material		Al, PPS, SS, PA, NBR

Feed pressure MPa	Air consumption NI/s	Vacuum flow (NI/s) at different vacuum levels (-kPa)								Max vacuum -kPa
		0	10	20	30	40	50	60	70	
0.60	7.0	16.5	9.6	7.5	5.0	2.9	2.3	1.6	0.95	75

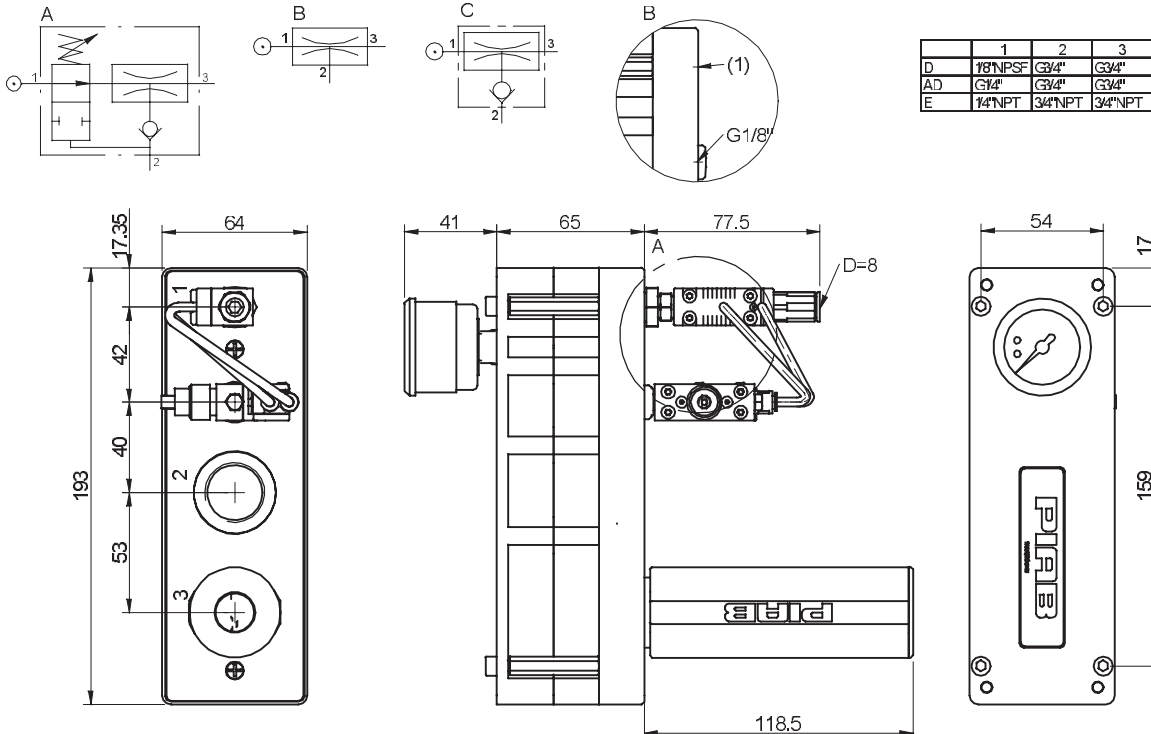
Evacuation time

Feed pressure MPa	Air consumption NI/s	Evacuation time (s/l) to reach different vacuum levels (-kPa)							Max vacuum -kPa
		10	20	30	40	50	60	70	
0.60	7.0	0.008	0.018	0.033	0.060	0.10	0.15	0.23	75



Ordering information

	Description	Art. No.
A	Vacuum pump CLASSIC L100, conn. AD, NBR sealings, ES	0103099
B	Vacuum pump CLASSIC L100, conn. AD, NBR sealings	0102121
B	Vacuum pump CLASSIC L100, conn. D, NBR sealings	0102029
B	Vacuum pump CLASSIC L100, conn. D, Viton® sealings	0102220
C	Vacuum pump CLASSIC L100, conn. AD, NBR sealings, non-return valve	0102122
C	Vacuum pump CLASSIC L100, conn. D, NBR sealings, non-return valve	0102030
C	Vacuum pump CLASSIC L100, conn. D, Viton® sealings, non-return valve	0102221



Classic

Ordering information, accessories

Description	Art. No.
Sealing kit CLASSIC, NBR	3201069
Sealing kit CLASSIC, Viton®	3201069V
Sealing kit CLASSIC, EPDM	3201069E
ES-kit CLASSIC, G1/8"-G1/4"	0103109

Sealing kits include flap valves, gaskets and compressed-air filters.