

L50



- ▶ Large vacuum flows
- ▶ Short evacuation time
- ▶ Good for handling porous materials or if leakage is present
- ▶ Energy-Saving (ES) available
- ▶ Available with connection plate in aluminium (AD) and composite PPS (D).

Supplied with a push-in connector for compressed air, through-flow silencer and mounting brackets (see Accessories).

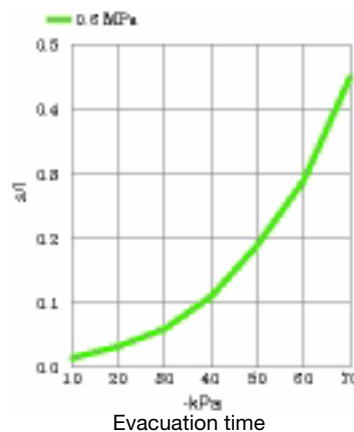
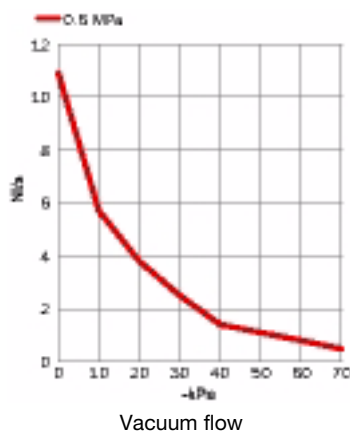
Technical data

Description	Unit	Value
Feed pressure, max.	MPa	0.7
Noise level	dB(A)	60–65
Temperature range	°C	-20–80
Weight	g	575–760
Material		Al, PPS, SS, PA, NBR

Feed pressure MPa	Air consumption NI/s	Vacuum flow (NI/s) at different vacuum levels (-kPa)								Max vacuum -kPa
		0	10	20	30	40	50	60	70	
0.60	3.5	10.9	5.7	3.8	2.5	1.4	1.1	0.80	0.48	75

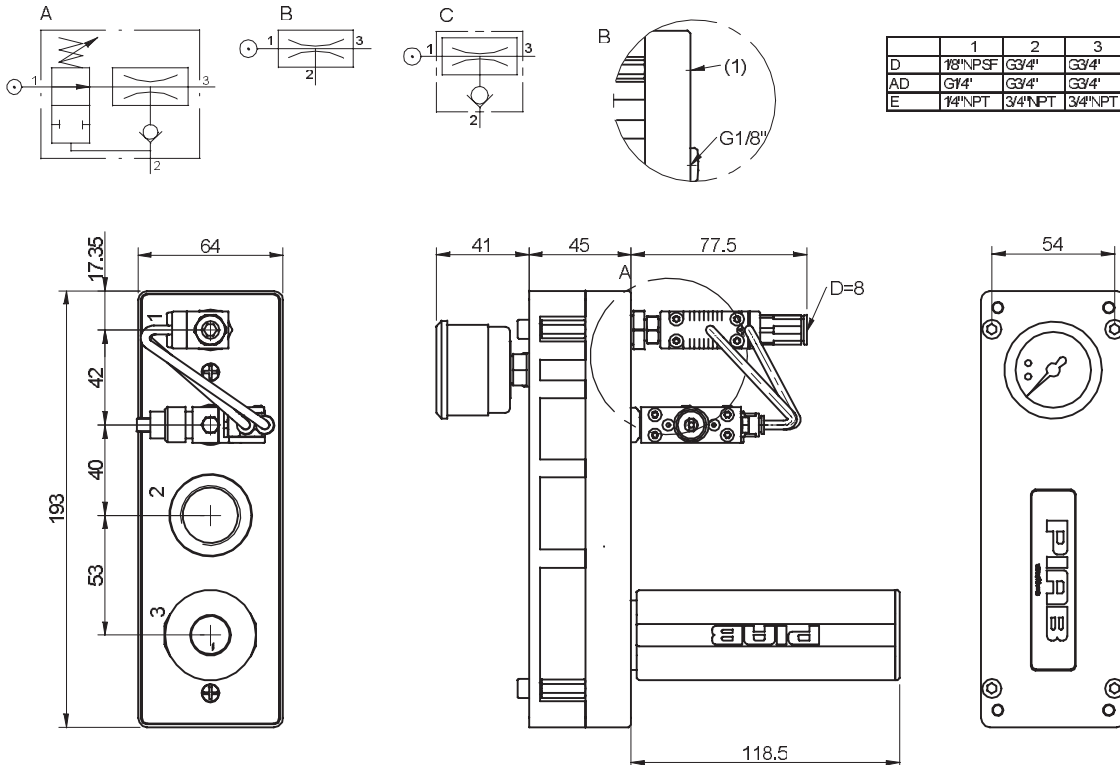
Evacuation time

Feed pressure MPa	Air consumption NI/s	Evacuation time (s/l) to reach different vacuum levels (-kPa)							Max vacuum -kPa
		10	20	30	40	50	60	70	
0.60	3.5	0.015	0.033	0.060	0.11	0.19	0.29	0.45	75



Ordering information

	Description	Art. No.
A	Vacuum pump CLASSIC L50, conn. AD, NBR sealings, ES	0103097
B	Vacuum pump CLASSIC L50, conn. AD, NBR sealings	0102119
B	Vacuum pump CLASSIC L50, conn. D, NBR sealings	0102027
B	Vacuum pump CLASSIC L50, conn. D, Viton® sealings	0102216
C	Vacuum pump CLASSIC L50, conn. AD, NBR sealings, non-return valve	0102120
C	Vacuum pump CLASSIC L50, conn. D, NBR sealings, non-return valve	0102028



Classic

Ordering information, accessories

Description	Art. No.
Sealing kit CLASSIC, NBR	3201069
Sealing kit CLASSIC, Viton®	3201069V
Sealing kit CLASSIC, EPDM	3201069E
ES-kit CLASSIC, G1/8"-G1/4"	0103109

Sealing kits include flap valves, gaskets and compressed-air filters.