

P3010 AVM™2



- ▶ Patented multistage COAX® cartridge - MINI - with Pi, Si, Xi cartridge.
- ▶ AVM™2, Automatic Vacuum Management, unit with built-in control and monitoring functions.
- ▶ Valves for vacuum on/off and blow-off.
- ▶ Special safety feature for the version with normally closed on/off valve. (E-stop).
- ▶ Analogue vacuum sensor with two digital outputs.
- ▶ Digital display with “-kPa” or “-inHg” as unit options.
- ▶ Integrated energy saving function (ES) that minimizes the air consumption in sealed systems. The ES function can be activated manually or via a signal (signal override).
- ▶ Three-colour LED status indicators for valves, signal outputs and ES.

Technical data

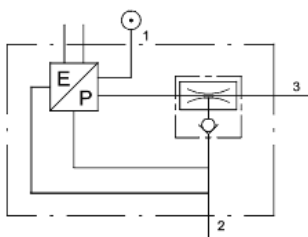
Description	Unit	Value
Feed pressure, max.	MPa	0.7
Noise level	dBA	66–68
Material		PA, NBR, Al, SS, PMMA
Temperature range	°C	0–50
Weight	g	250-330
Signal range, adjustable	-kPa	20-80
Hysteresis	kPa	7±1
Voltage	VDC	24 (22-28)
Ripple, max.	V _P	1V _{rms}
Current consumption, nominal	mA	110
Safety classification		IP65 [NEMA 4]
Current, max. output load		100
Display		LED indicators, numeric
Flow, blow-off	NI/s	0-7.5

Performance tables

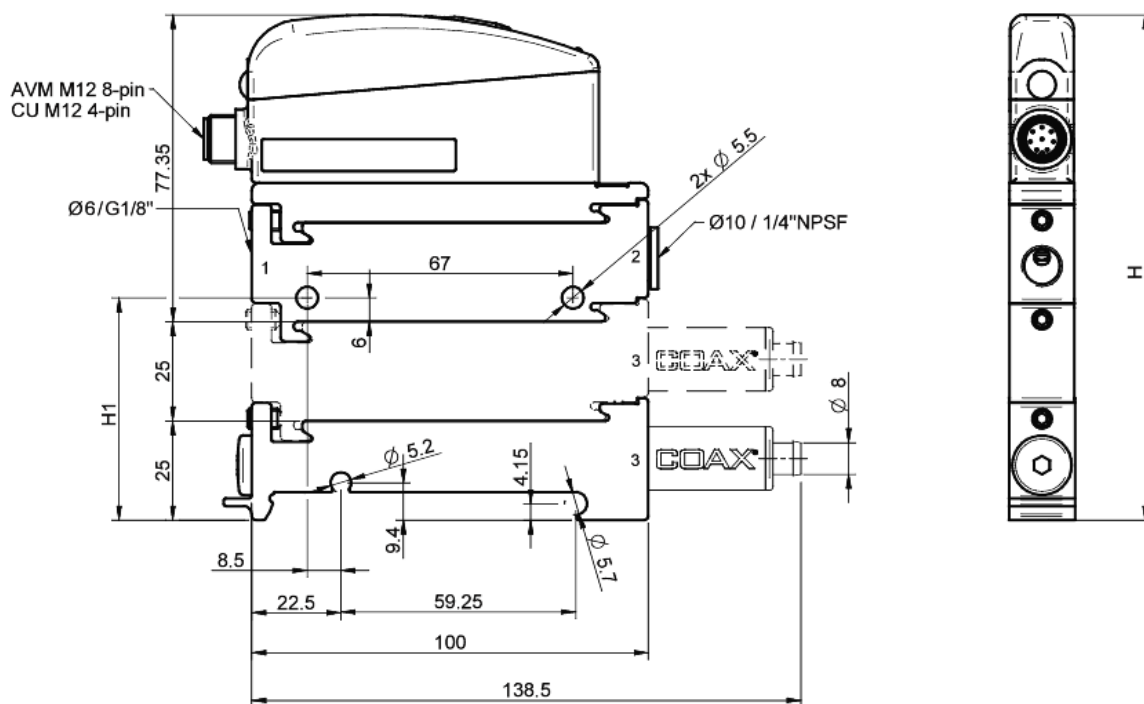
Depending upon choice of COAX® Cartridge, performance data of the P3010 can be found in the tables for vacuum flow, evacuation time and blow flow on the P3010 or COAX® Cartridge datasheets.

Ordering information

1. Select housing		P3010 Code
Housing, connection Ø=6 mm		00
Housing, connection 1/8" NPSF		01
2. COAX® cartridge modules		P3010 Code
COAX® cartridge module Pi12-3FSx1, non-return valve		AF
COAX® cartridge module Pi12-3FSx2, non-return valve		AH
COAX® cartridge module Si08-3FSx1, non-return valve		AB
COAX® cartridge module Si08-3FSx2, non-return valve		AD
COAX® cartridge module Xi10-3FSx1, non-return valve		AJ
COAX® cartridge module Xi10-3FSx2, non-return valve		AL
3. Select connection and function module		P3010 Code
Function AVM™2 NO G connection		27
Function AVM™2 NC G connection		28
4. Select ES		P3010 Code
No energy saving		AA
5. Select vacuum sensing		P3010 Code
No vacuum sensing		00
Example	Ordering number	
Housing, connection 1/8" NPSF Pi12-3FSx1, non-return valve, Function AVM2 NO, no energy saving function, no vacuum sensing	P3010.01.AF.27.AA.00	



COAX® Cartridge	H	H1
1	102,4	31
2	127,4	56



Ordering information, accessories

Description	Art. No.
Cable M12 8-pin female, PUR, L=2m	0110238
Cable M12 8-pin female, PUR, L=5m	0117746
Y-cable M12 8-pin female, 2xM12 4-pin male, PNP, PUR, L=2m	0118407
Y-cable M12 8-pin female, 2xM12 5-pin male, NPN, PUR, L=2m	0120229
Y-cable MIL 18-pin male, 2xM12 8-pin female, PNP, L=0.3m	0113248
Sealing kit P3010, NBR	0104201

The sealing kit includes flap valves, compressed air filter and vacuum filter.