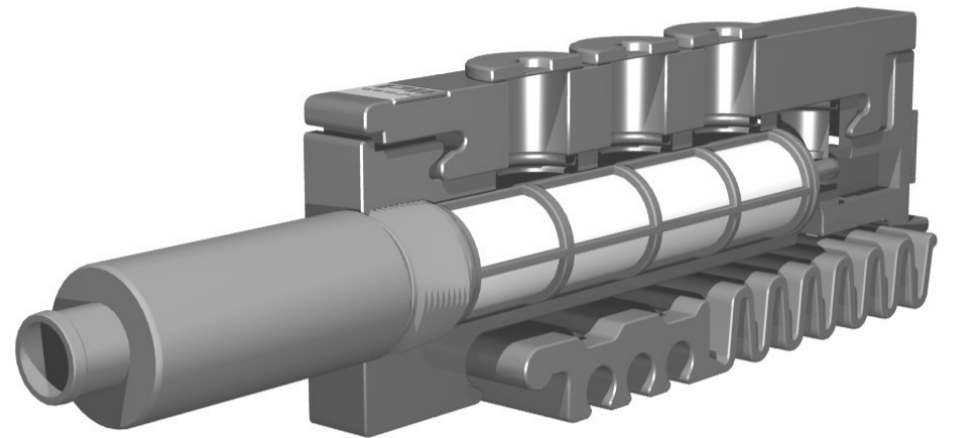


# MANUAL

P3010

Piab gives you service all over the world.  
To find your local distributor, please visit [www.piab.com](http://www.piab.com).

No need to compromise.



[www.piab.com](http://www.piab.com)

Art. No. 0104706, Rev.5  
Piab AB, 2015-05



(GB) Safety  
(DK) Advarselsymboler  
(DE) Warnsymbole  
(ES) Señales de advertencia

(FR) Sécurité  
(IT) Segnali di avvertenza  
(NL) Waarschuwingsymbolen  
(NO) Sikkerhet

(PT) Sinais Avisadores  
(SV) Säkerhet  
(FI) Varoitusmerkit  
(日) 安全性に関して

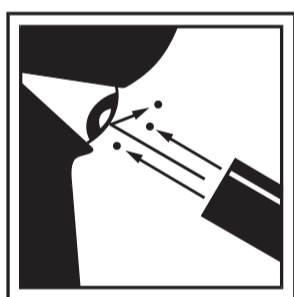
(GB) Warranty  
(DK) Garanti  
(DE) Garantie  
(ES) Garantía

(FR) Garantie  
(IT) Garanzia  
(NL) Garantie  
(NO) Garanti

(PT) Garantia  
(SE) Garanti  
(FI) Takuu  
(日) 保証に関して



- Vacuum force
- Vakuumkraft
- Vakuumkraft
- Fuerza de vacío
- Force d'aspiration
- Potenza di aspirazione
- Vakuumkracht
- Vakuumkraft
- Vácuo ligado
- Vakuumkraft
- Voimakas imu
- 真空力



- Exhaust
- Udblæs
- Abluft
- Evacuation de l'air
- Aria di scarico
- Uitlaatlucht
- Eksos
- Saída de ar
- Utblås
- Poistoilma
- 排気



- Unrestricted exhaust
- Forbudt blokere udblæsningen
- Abluft nicht blockieren
- Prohibido bloquear la salida del aire
- Interdit de bloquer l'évacuation de l'air
- Lo scarico della pompa non deve essere ostruito
- Pomputilaaat vrijhouden
- Forbudt å blokkere eksos
- O escape da bomba deve ser livre
- Förbjudet blockera utblås
- Ulospuhalluksen esto kielletty
- 排気口を塞がないで下さい。

(GB) The Piab Vacuum Pump has a 5 year warranty against manufacturing defects. The warranty is valid for the vacuum pump only and covers no other costs.

(DK) Piab vakuumpumper har 5 års garanti mod fabrikationsfejl. Garantien gælder kun vakuumpumperne, men ikke andre omkostninger eller fragtomkostninger.

(DE) Bei Herstellungsfehlern an der Piab Vakuumpumpe geben wir 5 Jahre Garantie. Verschleißteile wie z.B. Filter sind ausgeschlossen.

(ES) La bomba de vacío Piab tiene una garantía de 5 años contra defectos de fabricación. La garantía es válida para la bomba de vacío solamente sin cubrir gastos extras.

(FR) La pompe à vide Piab est garantie 5 ans contre les défauts de fabrication. La garantie est valable uniquement pour la pompe, et ne couvre pas d'autres frais, par exemple les frais d'expédition.

(IT) La pompa a vuoto Piab ha 5 anni di garanzia contro i difetti di fabbricazione. La garanzia è valida solo per la pompa a vuoto e non copre altri costi.

(NL) Piab vacuümpompen hebben een garantietermijn tegen fabricagefouten van 5 jaar. De garantie geldt alleen voor de pomp en dekt geen andere kosten.

(NO) Piab Vakuumpumper har 5 års garanti mot fabrikkasjonsfeil. Garantien gjelder kun vakuumpumpen og dekker ikke andre kostnader eller fraktkostnader.

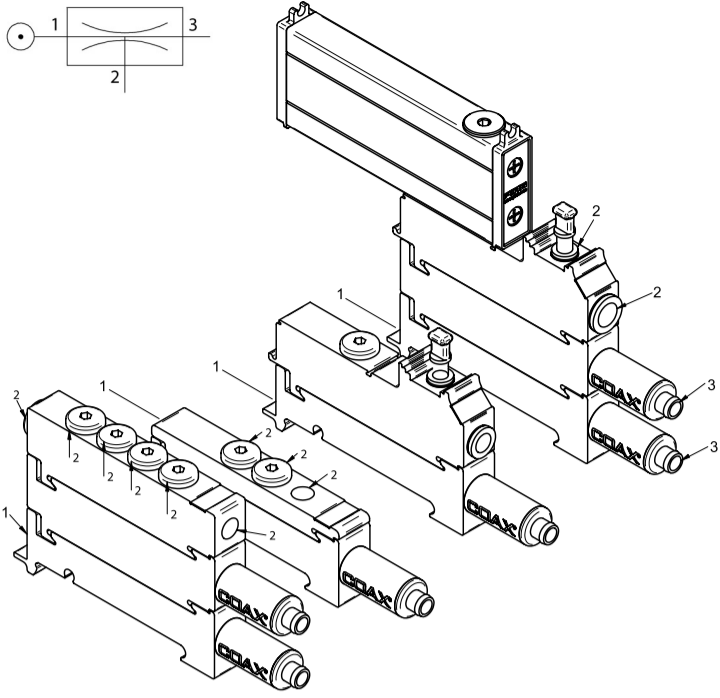
(PT) As bombas de vacío Piab têm 5 anos de garantia contra defeitos de fabrico. A garantia é válida somente para as bombas de vacío não cobrindo outros custos.

(SE) Piab Vakuumpump har 5 års garanti mot fabrikkationsfel. Garantien omfattar enbart vakuumpumpen och täcker ej andra kostnader eller fraktkostnader.

(FI) Piab-tyhjäpumpuilla on 5-vuoden takuu koskien valmistusvirheitä. Takuu koskee ainoastaan tyhjäpumpua, eikä peitä muita kustannuksia taikka lähetyskuluja.

(日) ピアブのポンプには製造上の欠陥に限り五年間の保証があります。保証はポンプのみ有効です。

## 1. INSTALLATION/CONNECTION



## RECOMMENDED HOSE DIMENSIONS IN MM [IN.] (INTERNAL DIAMETER)

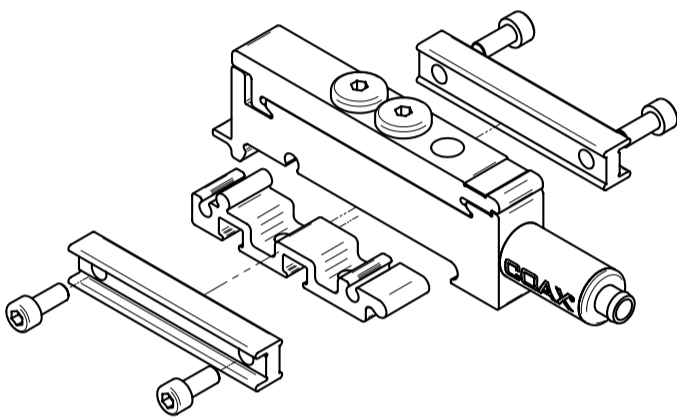
| Connections |                | COAX® cartridge (type & number) |
|-------------|----------------|---------------------------------|
|             |                | PI12-3, SI08-3, XI10-3          |
| 1.          | Compressed air | ≥ 4 [≥0.16]                     |
| 2.          | Vacuum         | ≥ 8 [≥0.31]                     |
| 3.          | Exhaust        | ≥ 10 [≥0.39]                    |

Applies to hoses up to 2m (6.6 feet) long.

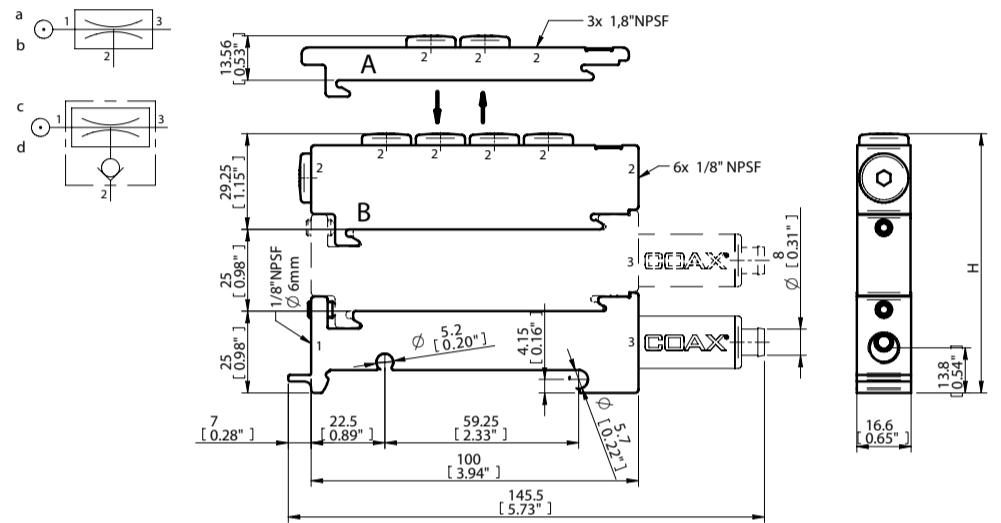
## FEED PRESSURE, VACUUM LEVEL AND EXHAUST PRESSURE

| COAX® cartridge | Feed pressure<br>MPa [psi] | Max. vacuum<br>-kPa [-inHg] | Max. exhaust pressure<br>MPa [psi] |
|-----------------|----------------------------|-----------------------------|------------------------------------|
| PI48-2, PI48-3  | 0.3-0.4 [43.5-58]          | 90 [26.6]                   | 0.13 [18.9]                        |
| SI32-2, SI32-3  | 0.6 [87]                   | 75 [22.2]                   | 0.07 [10.2]                        |
| XI40-2, XI40-3  | 0.45 [65.3]                | 94 [27.7]                   | 0.09 [13.1]                        |

## 2. MOUNTING & ACCESSORIES

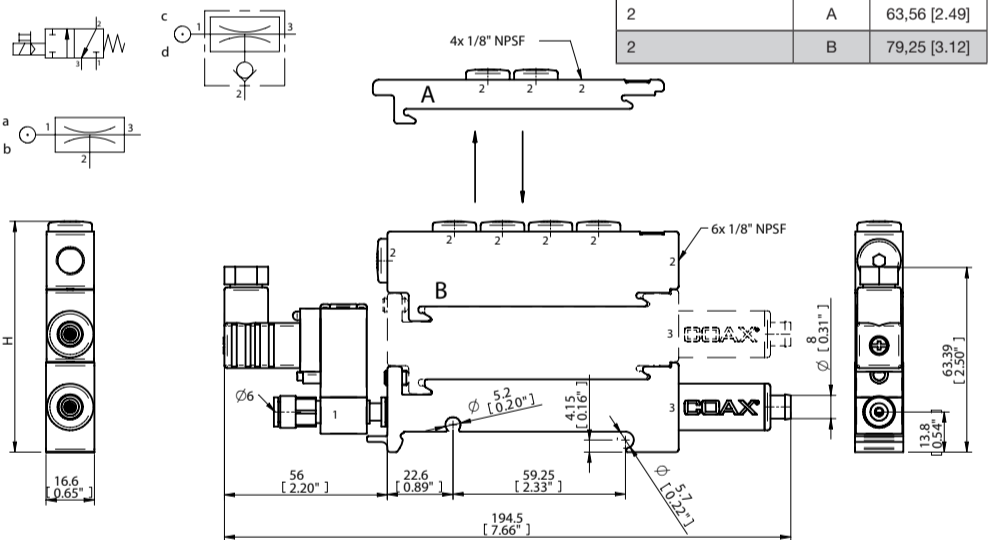
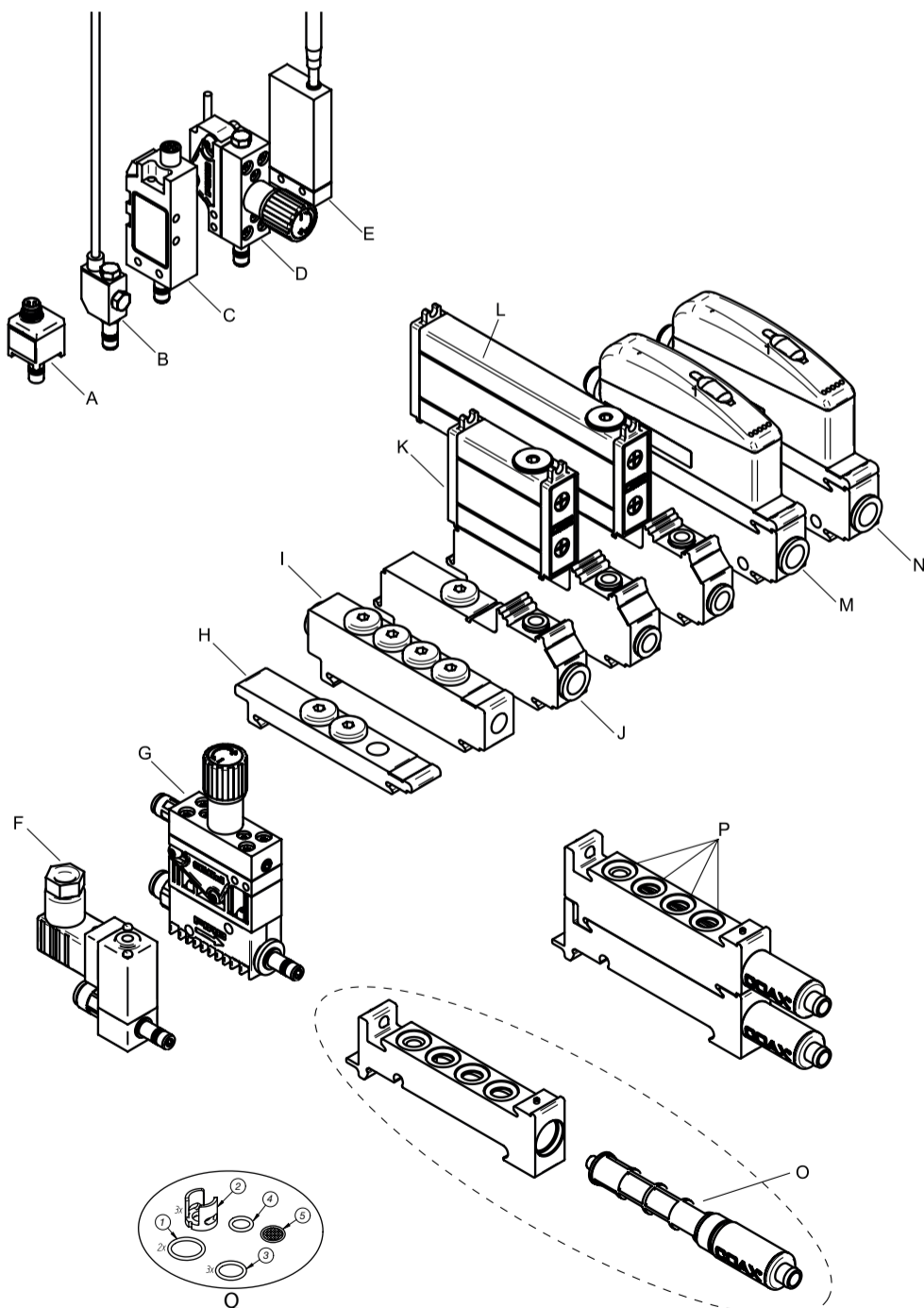


## 3. DIMENSIONS



| COAX® cartridge(s) | Type | H<br>mm [in] |
|--------------------|------|--------------|
| 1                  | A    | 38,56 [1.51] |
| 1                  | B    | 54,25 [2.13] |
| 2                  | A    | 63,56 [2.49] |
| 2                  | B    | 79,25 [3.12] |

## 4. SPARE PARTS



| Pos. | Description  | Art. No. |
|------|--|----------|
| A    | Vacuum switch VS4015 30 -kPa                       | 0110245  |
| A    | Vacuum switch VS4015 50 -kPa                       | 0110246  |
| A    | Vacuum switch VS4015 70 -kPa                       | 0110247  |
| B    | Vacuum switch, PNP NO LM8                          | 0107731  |
| C    | Vacuum switch, PNP NO MM8                          | 0107729  |
| C    | Vacuum switch, NPN NO MM8                          | 0107730  |
| D    | Vacuum switch Inductive, adj., knob, PNP/NPN NO/NC | 0104350  |
| E    | Vacuum switch, PNP NO DM8                          | 0107732  |
| E    | Vacuum switch, NPN NO DM8                          | 0107733  |
| F    | Solenoid valve DS23 cpl., Control of ON/OFF        | 0104274  |
| G    | Vacustat, 2/2 NO, small hysteresis                 | 0118100  |
| G    | Vacustat, 2/2 NO, large hysteresis                 | 0118200  |
| H    | Connection Module 3X1/8"                           | 0104269  |
| I    | Connection Module 6X1/8"                           | 0104270  |
| J    | Quick-release module 8/6 - 3                       | 0104271  |
| J    | Quick-release module 10/6 - 3                      | 0104351  |
| K    | Quick-release tank module 30cm³                    | 0104272  |
| L    | Quick-release tank module 60cm³                    | 0104273  |
| M    | Function P3010 AVM2 NO                             | 0117921  |
| M    | Function P3010 AVM2 NC                             | 0117920  |
| N    | Function P3010 CU NO                               | 0117696  |
| O    | COAX® Cartridge Mini PI12-3 FS                     | 0104265  |
| O    | COAX® Cartridge Mini PI12-3 AFS                    | 0106676  |
| O    | COAX® Cartridge Mini SI08-3 FS                     | 0113579  |
| O    | COAX® Cartridge Mini SI08-3 AFS                    | 0113581  |
| O    | COAX® Cartridge Mini XI10-3 FS                     | 0120775  |
| O    | COAX® Cartridge Mini XI10-3 AFS                    | 0120776  |
| P    | Sealing kit P3010, NBR                             | 0104201  |
| Q    | Spare part kit COAX® cartridge MINI                | 0109532  |