

Vacuum filter 3/4" NPT (10 µm), 0128415



- To filter dust and other small particles from the vacuum flow.
- Reduces the risk of operation breakdown or stoppage in the pump.
- Replaceable filter element.
- Available with special filter element with increased filter area

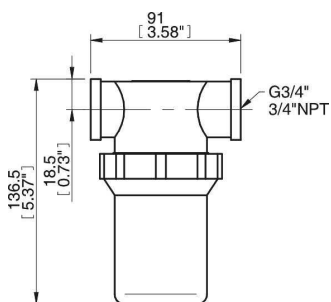
Общее

Площадь фильтра	100 cm ²
Материал	PA, PE, PP
Эффективность фильтрации	10 µm
Temperature	-20 – 80 °C
Weight	193 g

Пневматические характеристики

Поток	15 NL/s
Pressure	-0,1 – 0 MPa

Масштабные чертежи



Запчасти

	Номер изделия
Filter element 1/2" & 3/4" (10 µm), 3 pcs	0128423