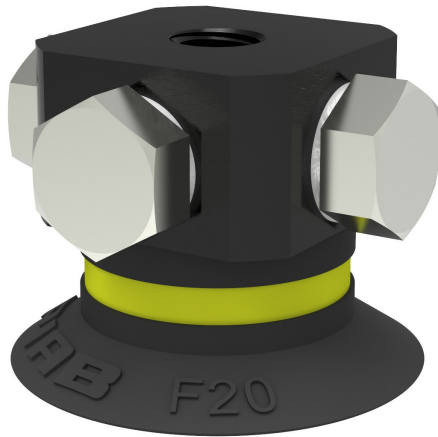


# Suction cup F20 Chloroprene, 5xM5 female

, F20.10.02AE



- Suitable for flat objects.
- Good stability and little inherent movement.
- Recommended when the lifting force is parallel to the surface of the object.
- Cleats prevent thin, sensitive objects from being deformed and gives extra friction when the lifting force is parallel.



## General

Curve radius	0.71 in
Movement, vertical max.	0.05 in
Application	Dry sheet metal
Material	Chloroprene (CR)
Suction cup model	F
Suction cup shape	Flat
Volume	0.06 in <sup>3</sup>
Weight	0.04 oz

## Fitting

Fitting size	5xM5
Fitting style	Female
Fitting type	M-thread
Fitting option	None

## Dimension

Height	0.67 in
Outer diameter	0.87 in
Outer diameter, actuated	0.91 in

## Performance — lifting forces

		
6 -inHg	1.35 lbf	1.12 lbf
18 -inHg	3.26 lbf	1.8 lbf
27 -inHg	4.27 lbf	1.91 lbf

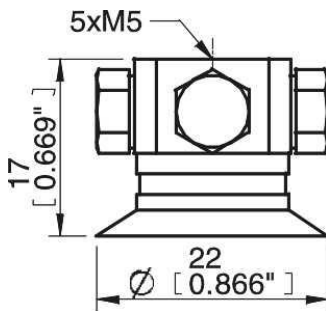
## Material

	Chloroprene (CR)
Color	Black
Hardness	50 Shore A
Temperature	-40 – 230 °F

## Material resistance

	Chloroprene (CR)
Alcohol	++
Concentrated acids	-
Ethanol	N/A
Hydrolysis	++
Methanol	N/A
Oil	+
Oxidation	++
Gasoline	+
Wear resistance	+++
Weather and ozone	++

## Dimensional drawings



## Spare parts

	Part no.
Suction cup F20 Chloroprene	F20.10
Fitting 5xM5 female	02AE

## Accessories

	Part no.
Suction cup F20 Silicone	F20.20
Fitting M5 female, with dual flow control valve	02DA
Fitting M5 female	02AA
Fitting G1/8" male/M5 female, with mesh filter	02AF
Fitting G1/8" male/M5 female, with dual flow control valve	02DD
Fitting G1/8" male/M5 female, PA	02CD
Fitting G1/8" male, with mesh filter	02AB
Fitting 5xM5 female, with dual flow control valve	02DE
Fitting 1/8" NPT male, with dual flow control valve	02DC
Fitting G1/8" male/M5 female	02AD
Fitting 1/8" NPT male, with mesh filter	02AC