

# Suction cup F25 Chloroprene, G1/8" male/M5 female, with dual flow control valve, F25.10.02DD



- Suitable for flat objects.
- Good stability and little inherent movement.
- Recommended when the lifting force is parallel to the surface of the object.
- Cleats prevent thin, sensitive objects from being deformed and gives extra friction when the lifting force is parallel.



## General

Curve radius	0.87 in
Movement, vertical max.	0.05 in
Application	Dry sheet metal
Leakage flow, max.	0.13 scfm
Material	Chloroprene (CR)
Suction cup model	F
Suction cup shape	Flat
Valve restriction	0.03 in
Volume	0.07 in <sup>3</sup>
Weight	0.06 oz

## Fitting

Fitting size	1/8", M5
Fitting style	Female/Male
Fitting type	G-thread, M-thread
Fitting option	Dual flow control valve

## Dimension

Height	0.65 in
Outer diameter	1.06 in
Outer diameter, actuated	1.10 in

## Performance — lifting forces

		
6 -inHg	2.02 lbf	1.8 lbf
18 -inHg	4.38 lbf	2.02 lbf
27 -inHg	5.62 lbf	2.25 lbf

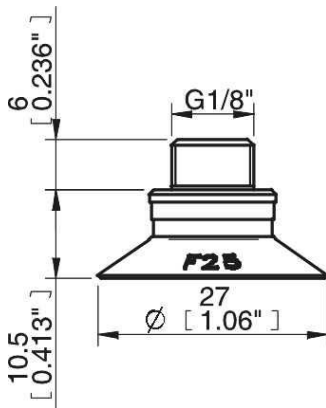
## Material

	Chloroprene (CR)
Color	Black
Hardness	50 Shore A
Temperature	-40 – 230 °F

## Material resistance

	Chloroprene (CR)
Alcohol	++
Concentrated acids	-
Ethanol	N/A
Hydrolysis	++
Methanol	N/A
Oil	+
Oxidation	++
Gasoline	+
Wear resistance	+++
Weather and ozone	++

## Dimensional drawings



## Spare parts

	Part no.
Suction cup F25 Chloroprene	F25.10
Fitting G1/8" male/M5 female, with dual flow control valve	02DD

## Accessories

	Part no.
Suction cup F25 Silicone	F25.20
Fitting M5 female, with dual flow control valve	02DA
Fitting M5 female	02AA
Fitting G1/8" male/M5 female, with mesh filter	02AF
Fitting G1/8" male/M5 female, PA	02CD
Fitting G1/8" male/M5 female	02AD
Fitting G1/8" male, with mesh filter	02AB
Fitting 5xM5 female, with dual flow control valve	02DE
Fitting 5xM5 female	02AE
Fitting 1/8" NPT male, with mesh filter	02AC
Fitting 1/8" NPT male, with dual flow control valve	02DC