

Suction cup F25 Chloroprene, G1/8" male/M5 female, with mesh filter, F25.10.02AF

- Suitable for flat objects.
- Good stability and little inherent movement.
- Recommended when the lifting force is parallel to the surface of the object.
- Cleats prevent thin, sensitive objects from being deformed and gives extra friction when the lifting force is parallel.



General

| | |
|-------------------------|----------------------|
| Curve radius | 0.87 in |
| Movement, vertical max. | 0.05 in |
| Application | Dry sheet metal |
| Material | Chloroprene (CR) |
| Suction cup model | F |
| Suction cup shape | Flat |
| Volume | 0.07 in ³ |
| Weight | 0.06 oz |

Fitting

| | |
|----------------|--------------------|
| Fitting size | 1/8", M5 |
| Fitting style | Female/Male |
| Fitting type | G-thread, M-thread |
| Fitting option | Filter mesh |

Dimension

| | |
|--------------------------|---------|
| Height | 0.65 in |
| Outer diameter | 1.06 in |
| Outer diameter, actuated | 1.10 in |

Performance — lifting forces

| |  |  |
|----------|---|---|
| 6 -inHg | 2.02 lbf | 1.8 lbf |
| 18 -inHg | 4.38 lbf | 2.02 lbf |
| 27 -inHg | 5.62 lbf | 2.25 lbf |

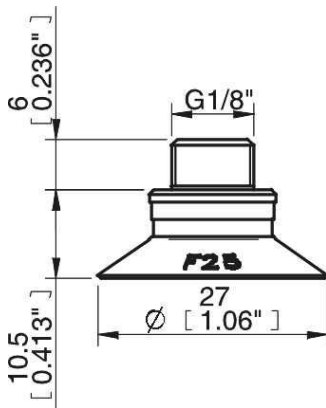
Material

| | |
|-------------|------------------|
| | Chloroprene (CR) |
| Color | Black |
| Hardness | 50 Shore A |
| Temperature | -40 – 230 °F |

Material resistance

| | |
|--------------------|------------------|
| | Chloroprene (CR) |
| Alcohol | ++ |
| Concentrated acids | - |
| Ethanol | N/A |
| Hydrolysis | ++ |
| Methanol | N/A |
| Oil | + |
| Oxidation | ++ |
| Gasoline | + |
| Wear resistance | +++ |
| Weather and ozone | ++ |

Dimensional drawings



Spare parts

| | Part no. |
|--|----------|
| Suction cup F25 Chloroprene | F25.10 |
| Fitting G1/8" male/M5 female, with mesh filter | 02AF |

Accessories

| | Part no. |
|--|----------|
| Suction cup F25 Silicone | F25.20 |
| Fitting M5 female, with dual flow control valve | 02DA |
| Fitting M5 female | 02AA |
| Fitting G1/8" male/M5 female, with dual flow control valve | 02DD |
| Fitting G1/8" male/M5 female, PA | 02CD |
| Fitting G1/8" male/M5 female | 02AD |
| Fitting G1/8" male, with mesh filter | 02AB |
| Fitting 5xM5 female, with dual flow control valve | 02DE |
| Fitting 5xM5 female | 02AE |
| Fitting 1/8" NPT male, with mesh filter | 02AC |
| Fitting 1/8" NPT male, with dual flow control valve | 02DC |