

Suction cup F25 Silicone, G1/8" male/M5 female, with dual flow control valve, F25.20.02DD



- Suitable for flat objects.
- Good stability and little inherent movement.
- Recommended when the lifting force is parallel to the surface of the object.
- Cleats prevent thin, sensitive objects from being deformed and gives extra friction when the lifting force is parallel.



General

Curve radius	0.87 in
Movement, vertical max.	0.05 in
Application	Dry sheet metal
Leakage flow, max.	0.13 scfm
Material	Silicone (SIL)
Suction cup model	F
Suction cup shape	Flat
Valve restriction	0.03 in
Volume	0.07 in ³
Weight	0.06 oz

Fitting

Fitting size	1/8", M5
Fitting style	Female/Male
Fitting type	G-thread, M-thread
Fitting option	Dual flow control valve

Dimension

Height	0.65 in
Outer diameter	1.06 in
Outer diameter, actuated	1.10 in

Performance — lifting forces

		
6 -inHg	2.02 lbf	1.8 lbf
18 -inHg	4.38 lbf	2.02 lbf
27 -inHg	5.62 lbf	2.25 lbf

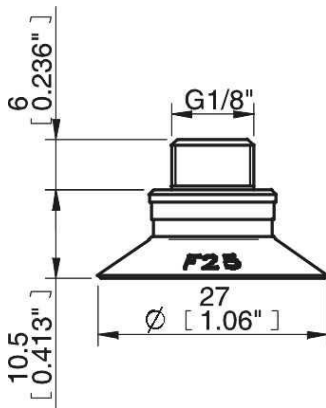
Material

	Silicone (SIL)
Color	Red
Hardness	50 Shore A
Temperature	-40 – 392 °F

Material resistance

	Silicone (SIL)
Alcohol	++
Concentrated acids	-
Ethanol	N/A
Hydrolysis	+
Methanol	N/A
Oil	-
Oxidation	+++
Gasoline	-
Wear resistance	++
Weather and ozone	+++

Dimensional drawings



Spare parts

	Part no.
Suction cup F25 Silicone	F25.20
Fitting G1/8" male/M5 female, with dual flow control valve	02DD

Accessories

	Part no.
Suction cup F25 Chloroprene	F25.10
Fitting M5 female, with dual flow control valve	02DA
Fitting M5 female	02AA
Fitting G1/8" male/M5 female, with mesh filter	02AF
Fitting G1/8" male/M5 female, PA	02CD
Fitting G1/8" male/M5 female	02AD
Fitting G1/8" male, with mesh filter	02AB
Fitting 5xM5 female, with dual flow control valve	02DE
Fitting 5xM5 female	02AE
Fitting 1/8" NPT male, with mesh filter	02AC
Fitting 1/8" NPT male, with dual flow control valve	02DC