

# Suction cup F30-2 Chloroprene, G1/8" male, with mesh filter and dual flow control valve



, F30-2.10.02DB



- Suitable for flat objects.
- Good stability and little inherent movement.
- Recommended when the lifting force is parallel to the surface of the object.
- Cleats prevent thin, sensitive objects from being deformed and gives extra friction when the lifting force is parallel.

## General

|                         |                      |
|-------------------------|----------------------|
| Curve radius            | 0.98 in              |
| Movement, vertical max. | 0.06 in              |
| Application             | Dry sheet metal      |
| Leakage flow, max.      | 0.13 scfm            |
| Material                | Chloroprene (CR)     |
| Suction cup model       | F                    |
| Suction cup shape       | Flat                 |
| Valve restriction       | 0.03 in              |
| Volume                  | 0.12 in <sup>3</sup> |
| Weight                  | 0.08 oz              |

## Fitting

|                |                                      |
|----------------|--------------------------------------|
| Fitting size   | 1/8"                                 |
| Fitting style  | Male                                 |
| Fitting type   | G-thread                             |
| Fitting option | Dual flow control valve, Filter mesh |

## Dimension

|                          |         |
|--------------------------|---------|
| Height                   | 0.88 in |
| Outer diameter           | 1.26 in |
| Outer diameter, actuated | 1.28 in |

## Performance — lifting forces

|          |  |  |
|----------|---|---|
| 6 -inHg  | 2.7 lbf   | 2.47 lbf  |
| 18 -inHg | 5.62 lbf  | 3.6 lbf   |
| 27 -inHg | 6.97 lbf  | 4.5 lbf   |

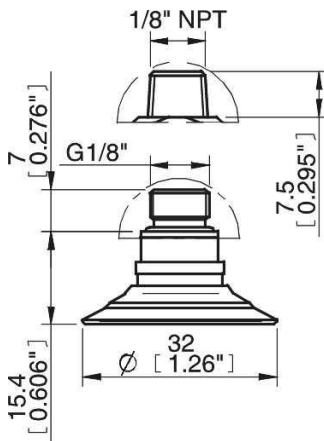
## Material

|             |                  |
|-------------|------------------|
|             | Chloroprene (CR) |
| Color       | Black            |
| Hardness    | 50 Shore A       |
| Temperature | -40 – 230 °F     |

## Material resistance

|                    |                  |
|--------------------|------------------|
|                    | Chloroprene (CR) |
| Alcohol            | ++               |
| Concentrated acids | -                |
| Ethanol            | N/A              |
| Hydrolysis         | ++               |
| Methanol           | N/A              |
| Oil                | +                |
| Oxidation          | ++               |
| Gasoline           | +                |
| Wear resistance    | +++              |
| Weather and ozone  | ++               |

## Dimensional drawings



## Spare parts

|                               | Part no. |
|-------------------------------|----------|
| Suction cup F30-2 Chloroprene | F30-2.10 |

## Accessories

|  | Part no.  |
|--|-----------|
| Suction cup F30-2 Silicone                                 | F30-2.20  |
| Suction cup F30-2 Chloroprene, for fitting with cone valve | 31.50.239 |
| Fitting M5 female  | 02AA      |
| Fitting M5 female, with dual flow control valve            | 02DA      |
| Fitting G1/8" male, with mesh filter                       | 02AB      |
| Fitting G1/8" male/M5 female, with mesh filter             | 02AF      |
| Fitting G1/8" male/M5 female, with dual flow control valve | 02DD      |
| Fitting G1/8" male/M5 female, with cone valve              | 02UV      |
| Fitting 5xM5 female  | 02AE      |
| Fitting 5xM5 female, with dual flow control valve          | 02DE      |
| Fitting G1/8" male/M5 female, PA                           | 02CD      |
| Fitting 1/8" NPT male, with dual flow control valve        | 02DC      |
| Fitting 1/8" NPT male, with mesh filter                    | 02AC      |
| Fitting G1/8" male/M5 female                               | 02AD      |
| Suction cup F30-2 Silicone, for fitting with cone valve    |           |