

# Suction cup F40-2 Nitrile-PVC, G3/8" male, with mesh filter, F40-2.30.04AD



- Suitable for flat objects.
- Good stability and little inherent movement.
- Recommended when the lifting force is parallel to the surface of the object.
- Cleats prevent thin, sensitive objects from being deformed and gives extra friction when the lifting force is parallel.

## General

Curve radius	2.05 in
Movement, vertical max.	0.07 in
Application	Dry sheet metal
Material	Nitrile-PVC (NPV)
Suction cup model	F
Suction cup shape	Flat
Volume	0.29 in <sup>3</sup>
Weight	0.19 oz

## Fitting

Fitting size	3/8"
Fitting style	Male
Fitting type	G-thread
Fitting option	Filter mesh

## Dimension

Height	1.14 in
Outer diameter	1.65 in
Outer diameter, actuated	1.72 in

## Performance — lifting forces

		
6 -inHg	4.5 lbf	3.37 lbf
18 -inHg	8.99 lbf	5.62 lbf
27 -inHg	11.2 lbf	6.74 lbf

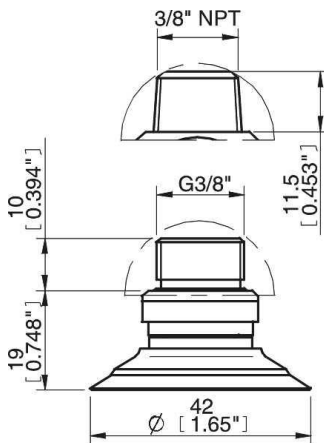
## Material

	Nitrile-PVC (NPV)
Color	Black
Hardness	50 Shore A
Temperature	32 – 194 °F

## Material resistance

	Nitrile-PVC (NPV)
Alcohol	++
Concentrated acids	+
Ethanol	N/A
Hydrolysis	++
Methanol	N/A
Oil	+++
Oxidation	++
Gasoline	+++
Wear resistance	+++
Weather and ozone	++

## Dimensional drawings



## Spare parts

	Part no.
Fitting G3/8" male, 30-40, with mesh filter	04AD
Suction cup F40-2 Nitrile-PVC	F40-2.30

## Accessories

	Part no.
Fitting 1/4" NPT male, with dual flow control valve	04DC
Fitting 1/4" NPT male, with mesh filter	04AC
Fitting 1/8" NPSF female, 30-40	04AA
Fitting 1/8" NPSF female, 30-40, PA	04CA
Fitting 1/8" NPSF female, 30-40, with cone valve	04UV
Fitting 1/8" NPSF female, 30-40, with dual flow control valve	04DA
Fitting 1/8" NPSF female, 30-40, with mesh filter	04AG
Fitting 3/8" NPT male, with dual flow control valve	04DE
Fitting 3/8" NPT male, with mesh filter	04AE
Fitting 5x1/8" NPSF female, 30-40	04AF
Fitting 5x1/8" NPSF female, 30-40, with dual flow control valve	04DF
Fitting G1/4" male, 30-40, with mesh filter	04AB
Fitting G1/4" male, 30-40, with dual flow control valve	04DB
Fitting G3/8" male, 30-40, with dual flow control valve	04DD
Suction cup F40-2 Silicone	F40-2.20