

Suction cup F40-2 Silicone, G1/4" male, with mesh filter, F40-2.20.04AB



- Suitable for flat objects.
- Good stability and little inherent movement.
- Recommended when the lifting force is parallel to the surface of the object.
- Cleats prevent thin, sensitive objects from being deformed and gives extra friction when the lifting force is parallel.

General

Curve radius	2.05 in
Movement, vertical max.	0.07 in
Application	Dry sheet metal
Material	Silicone (SIL)
Suction cup model	F
Suction cup shape	Flat
Volume	0.29 in ³
Weight	0.19 oz

Fitting

Fitting size	1/4"
Fitting style	Male
Fitting type	G-thread
Fitting option	Filter mesh

Dimension

Height	1.10 in
Outer diameter	1.65 in
Outer diameter, actuated	1.72 in

Performance — lifting forces

		
6 -inHg	4.5 lbf	3.37 lbf
18 -inHg	8.99 lbf	5.62 lbf
27 -inHg	11.2 lbf	6.74 lbf

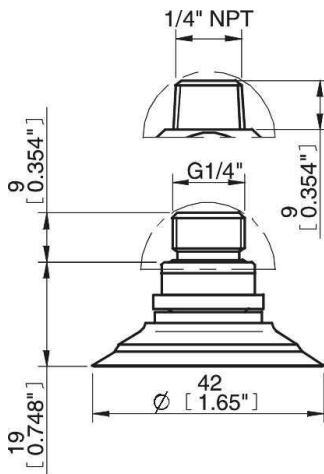
Material

	Silicone (SIL)
Color	Red
Hardness	50 Shore A
Temperature	-40 – 392 °F

Material resistance

	Silicone (SIL)
Alcohol	++
Concentrated acids	-
Ethanol	N/A
Hydrolysis	+
Methanol	N/A
Oil	-
Oxidation	+++
Gasoline	-
Wear resistance	++
Weather and ozone	+++

Dimensional drawings



Spare parts

	Part no.
Fitting G1/4" male, 30-40, with mesh filter	04AB
Suction cup F40-2 Silicone	F40-2.20

Accessories

	Part no.
Fitting 1/4" NPT male, with dual flow control valve	04DC
Fitting 1/4" NPT male, with mesh filter	04AC
Fitting 1/8" NPSF female, 30-40	04AA
Fitting 1/8" NPSF female, 30-40, PA	04CA
Fitting 1/8" NPSF female, 30-40, with cone valve	04UV
Fitting 1/8" NPSF female, 30-40, with dual flow control valve	04DA
Fitting 1/8" NPSF female, 30-40, with mesh filter	04AG
Fitting 3/8" NPT male, with dual flow control valve	04DE
Fitting 3/8" NPT male, with mesh filter	04AE
Fitting 5x1/8" NPSF female, 30-40	04AF
Fitting 5x1/8" NPSF female, 30-40, with dual flow control valve	04DF
Fitting G1/4" male, 30-40, with dual flow control valve	04DB
Fitting G3/8" male, 30-40, with dual flow control valve	04DD
Fitting G3/8" male, 30-40, with mesh filter	04AD
Suction cup F40-2 Nitrile-PVC	F40-2.30