

# Suction cup BL40-2 Silicone, 0101120

- Suitable for level adjustment.
- Lifting movement to separate small and thin objects.
- Less suitable when the lifting force is parallel to the surface of the object.



## Общее

|                         |                                   |
|-------------------------|-----------------------------------|
| Curve radius            | 11 mm                             |
| Movement, vertical max. | 33 mm                             |
| Применение              | Транспортировка мешков и упаковок |
| Материал                | Силикон (SIL)                     |
| Модель присоски         | BL-2                              |
| Форма                   | Присоска с несколькими сильфонами |
| Объем                   | 27 cm <sup>3</sup>                |
| Weight                  | 10 g                              |


## Фитинга

|                     |     |
|---------------------|-----|
| Размер креплений    | Нет |
| Конструкция фитинга | Нет |
| Конструкция фитинга | Нет |
| Варианты фитингов   | Нет |

## Измерение

|                 |         |
|-----------------|---------|
| Высота          | 42,4 mm |
| Внешний диаметр | 40 mm   |

## Производительность — подъемная сила,

|         |   |   |
|---------|---|---|
|         |  |  |
| 20 -kPa | 1,1 N   | 8,9 N   |
| 60 -kPa | 2,2 N   | 27,5 N  |

## Производительность — подъемная сила, reinforcement ring



|         |      |
|---------|------|
| 20 -kPa | 11 N |
| 60 -kPa | 22 N |

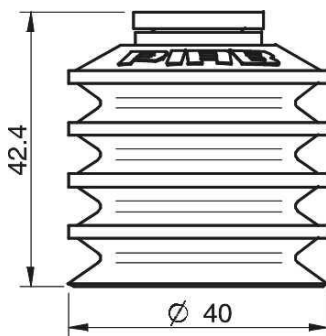
## Материал

|             |               |
|-------------|---------------|
|             | Силикон (SIL) |
| Цвет        | Красный       |
| Жесткость   | 50 °Shore A   |
| Temperature | -40 – 200 °C  |

## Сопротивление материала

|                            |               |
|----------------------------|---------------|
|                            | Силикон (SIL) |
| Алкоголь                   | ++            |
| Концентрированные кислоты  | -             |
| Этанол                     | N/A           |
| Гидролиз                   | +             |
| Метанол                    | N/A           |
| Масло                      | -             |
| Окисление                  | +++           |
| Бензин                     | -             |
| Износостойкость            | ++            |
| Атмосферные условия и озон | +++           |

## Масштабные чертежи



## Values specified in the data sheet are tested at:

|                        |  |
|------------------------|--|
| Room temperature       | (20°C [68°F] ± 3°C [5.5°F])              |
| Standard atmosphere    | (101.3 [29.9 inHg] ± 1.0 kPa [0.3 inHg]) |
| Relative humidity      | 0-100%                                   |
| Compressed air quality | DIN ISO 8573-1 class 4                   |

## Аксессуары

|   | Номер изделия |
|---|---------------|
| Fitting 1/4" NPT male, with dual flow control valve                     | 3251008       |
| Fitting 1/4" NPT male, with mesh filter                                 | 3250093       |
| Fitting 1/8" NPSF female, 30-40   | 3250005       |
| Fitting 1/8" NPSF female, 30-40, PA                                     | 3150197       |
| Fitting 1/8" NPSF female, 30-40, with dual flow control valve           | 3251006       |
| Fitting 1/8" NPSF female, 30-40, with mesh filter                       | 0101153       |
| Fitting 3/8" NPT male, with dual flow control valve                     | 3251010       |
| Fitting 3/8" NPT male, with mesh filter                                 | 3250089       |
| Fitting 5x1/8" NPSF female, 30-40                                       | 0100261       |
| Fitting 5x1/8" NPSF female, 30-40, with dual flow control valve         | 3251011       |
| Fitting G1/4" male, 30-40, with mesh filter                             | 3250091       |
| Fitting G1/4" male, 30-40, with mesh filter and dual flow control valve | 3251007       |
| Fitting G1/8" male, 40, with mesh filter                                | 0200714       |
| Fitting G3/8" male, 30-40, with mesh and dual flow control valve        | 3251009       |
| Fitting G3/8" male, 30-40, with mesh filter                             | 3250086       |
| Reinforcement ring 40-2   | 3150073       |