

## Bellows suction cup S.B20HN50.M5M5F.00



- ▶ The lifting movement can be used to separate small and thin objects.
- ▶ Only lightweight objects should be handled when the lifting force is parallel to the surface of the object, in order to achieve good precision and safe lifting movement.
- ▶ Suitable for level adjustment. Several short bellows in one lifting device can handle objects with height differences and varying shapes, for example embossed or corrugated plates.

### Lifting force

Description	Vertical			Parallel		
	20 -kPa	60 -kPa	90 -kPa	20 -kPa	60 -kPa	90 -kPa
Lifting forces	5.9 N	9.8 N	14.0 N	2.9 N	5.4 N	8.2 N

### Technical data

Description	Unit	Value
Internal volume	cm <sup>3</sup>	2.7
Weight	g	16
Min. curve radius -60 kPa	mm	10.0
Max. vertical movement	mm	10.0
Application	-	Dry sheet metal, Glass handling, High/low temp cup (plastic), Plastic injection molded parts,
Material	-	Hydrogenated Nitrile (HNBR)
Colour	-	Blue
Suction cup model	-	B
Suction cup shape	-	Bellows
Hardness °Shore A	-	50 °Shore A
Temperature range (°C)	°C	-30 – 140
Actuated outer diameter, Max	mm	25.8

### Fitting specification

Description	Value
Fitting size	5xM5
Fitting style	Female
Fitting type	M-Thread
Fitting material	CuZn, PA, Al
Fitting option	None

### Material resistance , Hydrogenated Nitrile, HNBR

Description	Value
Alcohol	Good
Concentrated Acids	Poor
Ethanol	N/A

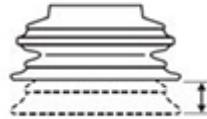
Hydrolysis	Good
Methanol	N/A
Oil	Fair
Oxidation	Good
Petrol	Fair
Wear Resistance	Excellent
Weather & Ozone	Good

Values specified in data sheet are tested at:

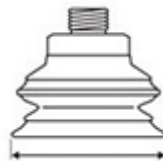
- Room temperature (20°C [68°F] ± 3°C [5.5°F]).
- Standard atmosphere (101.3 [29.9 inHg] ± 1.0 kPa [0.3 inHg]).
- Relative humidity 0-100%.
- Compressed air quality, DIN ISO 8573-1 class 4.



Internal volume



Max. vertical movement

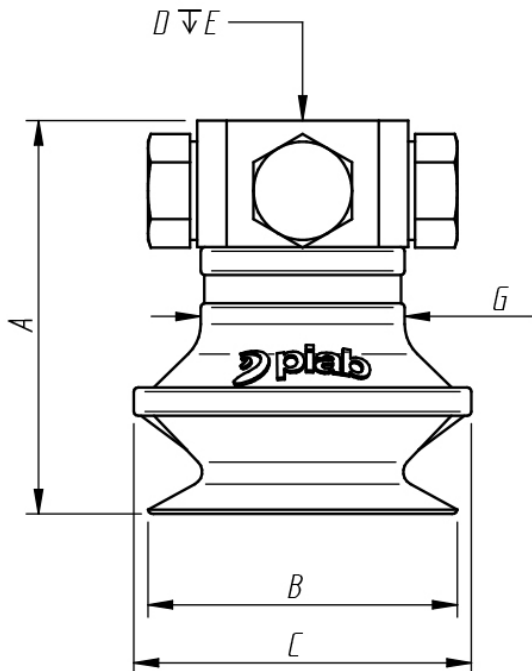


Diameter (lip)



Min. curve radius -60 kPa

Dimensional drawing



Product code	Description	Unit	Value
A	Building height	mm [inch]	28.0 [1.10"]
B	Diameter (lip)	mm [inch]	22.0 [0.87"]
C	Diameter (bellow)	mm [inch]	24.0 [0.94"]
D	Thread	-	5xM5
E	Thread height	mm [inch]	3.5 [0.14"]
G	Diameter (upper part cup)	mm [inch]	14.5 [0.57"]

Ordering information

Description	Product code
<b>Bellows suction cup</b> , Ø 20mm, Hydrogenated Nitrile, HNBR, 50 °Shore A, M-Thread, 5xM5, Female, None	S.B20HN50.M5M5F.00

### Ordering information, spare parts

Description	Art. No.
Fitting 5xM5 female	0100260
Suction cup B20 HNBR	0128712

### Ordering information, accessories

Description	Art. No.
Fitting M5 female	3250003
Fitting M5 female, with dual flow control valve	3251001
Fitting G1/8" male, with mesh filter	3250085
Fitting G1/8" male, check valve	3251002
Fitting G1/8" male/M5 female, with mesh filter	0101152
Fitting G1/8" male/M5 female, with dual flow control valve	3251004
Fitting G1/8" male/M5 female, with cone valve	0101155
Fitting G1/8" male/M5 female, PA	3150196
Fitting 5xM5 female, with dual flow control valve	3251005
Fitting 1/8" NPT male, with dual flow control valve	3251003
Fitting 1/8" NPT male, with mesh filter	3250088
Fitting G1/8" male/M5 female	3250004
Suction cup B20 Chloroprene	0101101
Suction cup B20 Silicone	0101102
Suction cup B20MF Thermoelastic polyurethane	0101111
Suction cup B20 Silicone FCM	0200405