

Bellows suction cup S.B20S50.MM5F.00



- ▶ The lifting movement can be used to separate small and thin objects.
- ▶ Only lightweight objects should be handled when the lifting force is parallel to the surface of the object, in order to achieve good precision and safe lifting movement.
- ▶ Suitable for level adjustment. Several short bellows in one lifting device can handle objects with height differences and varying shapes, for example embossed or corrugated plates.

Lifting force

| Description | Vertical | | | Parallel | | |
|----------------|----------|---------|---------|----------|---------|---------|
| | 20 -kPa | 60 -kPa | 90 -kPa | 20 -kPa | 60 -kPa | 90 -kPa |
| Lifting forces | 5.9 N | 9.8 N | 14.0 N | 2.9 N | 5.4 N | 8.2 N |

Technical data

| Description | Unit | Value |
|------------------------------|-----------------|--|
| Internal volume | cm ³ | 2.7 |
| Weight | g | 6 |
| Min. curve radius -60 kPa | mm | 10.0 |
| Max. vertical movement | mm | 10.0 |
| Application | - | Dry sheet metal, Corrugated / cardboard, |
| Material | - | Silicone (SIL) |
| Colour | - | Red |
| Suction cup model | - | B |
| Suction cup shape | - | Bellows |
| Hardness °Shore A | - | 50 °Shore A |
| Temperature range (°C) | °C | -40 – 200 |
| Actuated outer diameter, Max | mm | 25.8 |

Fitting specification

| Description | Value |
|------------------|----------|
| Fitting size | M5 |
| Fitting style | Female |
| Fitting type | M-Thread |
| Fitting material | Al |
| Fitting option | None |

Material resistance , Silicone, SIL

| Description | Value |
|--------------------|-------|
| Alcohol | Good |
| Concentrated Acids | Poor |
| Ethanol | N/A |
| Hydrolysis | Good |
| Methanol | N/A |

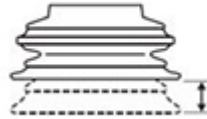
| | |
|-----------------|-----------|
| Oil | Fair |
| Oxidation | Good |
| Petrol | Fair |
| Wear Resistance | Excellent |
| Weather & Ozone | Good |

Values specified in data sheet are tested at:

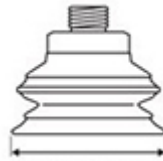
- Room temperature (20°C [68°F] ± 3°C [5.5°F]).
- Standard atmosphere (101.3 [29.9 inHg] ± 1.0 kPa [0.3 inHg]).
- Relative humidity 0-100%.
- Compressed air quality, DIN ISO 8573-1 class 4.



Internal volume



Max. vertical movement

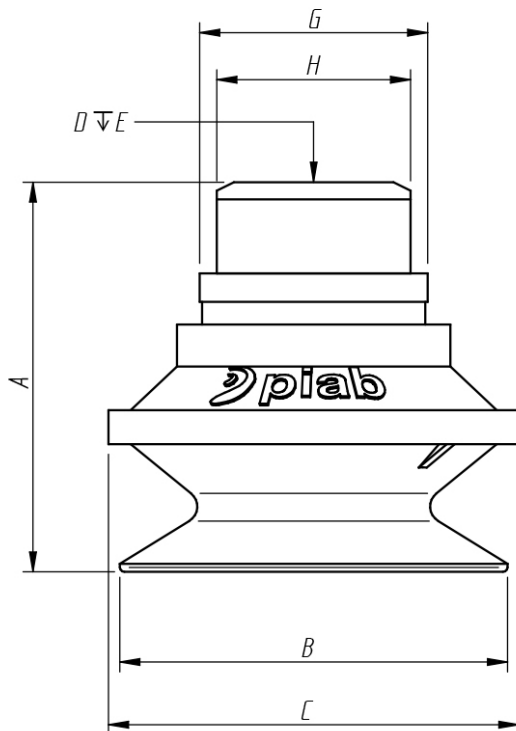


Diameter (lip)



Min. curve radius -60 kPa

Dimensional drawing



| Product code | Description | Unit | Value |
|--------------|---------------------------|-----------|--------------|
| A | Building height | mm [inch] | 25.0 [0.98"] |
| B | Diameter (lip) | mm [inch] | 22.0 [0.87"] |
| C | Diameter (bellow) | mm [inch] | 24.0 [0.94"] |
| D | Thread | - | M5 |
| E | Thread height | mm [inch] | 5.0 [0.20"] |
| G | Diameter (upper part cup) | mm [inch] | 14.5 [0.57"] |
| H | Keygrip | mm | SW 12.7 |

Ordering information

| Description | Product code |
|---|------------------|
| Bellows suction cup, Ø 20mm, Silicone, SIL, 50 °Shore A, M-Thread, M5, Female, None | S.B20S50.MM5F.00 |

Ordering information, spare parts

| Description | Art. No. |
|--------------------------|----------|
| Fitting M5 female | 3250003 |
| Suction cup B20 Silicone | 0101102 |

Ordering information, accessories

| Description | Art. No. |
|--|----------|
| Fitting M5 female, with dual flow control valve | 3251001 |
| Fitting G1/8" male, with mesh filter | 3250085 |
| Fitting G1/8" male, check valve | 3251002 |
| Fitting G1/8" male/M5 female, with mesh filter | 0101152 |
| Fitting G1/8" male/M5 female, with dual flow control valve | 3251004 |
| Fitting G1/8" male/M5 female, with cone valve | 0101155 |
| Fitting G1/8" male/M5 female, PA | 3150196 |
| Fitting 5xM5 female | 0100260 |
| Fitting 5xM5 female, with dual flow control valve | 3251005 |
| Fitting 1/8" NPT male, with dual flow control valve | 3251003 |
| Fitting 1/8" NPT male, with mesh filter | 3250088 |
| Fitting G1/8" male/M5 female | 3250004 |
| Suction cup B20 Chloroprene | 0101101 |
| Suction cup B20MF Thermoelastic polyurethane | 0101111 |
| Suction cup B20 HNBR | 0128712 |
| Suction cup B20 Silicone FCM | 0200405 |