

Suction cup FC35P Polyurethane 60, 5x1/8" NPSF female, 0103728



- Suitable for slightly domed and flat and oily surfaces, e.g., such as those encountered when handling steel sheets in press processes.
- Thanks to the high friction of the rubber material, the suction cups can withstand high forces at rapid accelerations in horizontal directions, even on oily surfaces.
- The suction cups have cleats that prevent thin objects from being disfigured.
- DURAFLEX® suction cups manufactured in a specially developed material that features the elasticity of rubber and wear resistance of polyurethane. The material does not leave any marks on the objects handled.

Общее

Curve radius	32 mm
Movement, vertical max.	5,5 mm
Применение	Присоски не оставляющие следов, Присоски для транспортировки металлических листов с сухой поверхностью
Материал	Полиуретан (PU60)
Модель присоски	FC
Форма	Плоская вогнутая присоска
Объем	5 cm ³
Weight	6 g

Фитинга

Размер креплений	5x1/8"
Конструкция фитинга	Внутренняя резьба
Конструкция фитинга	NPSF-резьба
Варианты фитингов	Нет

Измерение

Высота	33 mm
Внешний диаметр	35 mm

Производительность — подъемная сила

		
20 -kPa	11 N	27 N
60 -kPa	34 N	41 N
90 -kPa	49 N	51 N

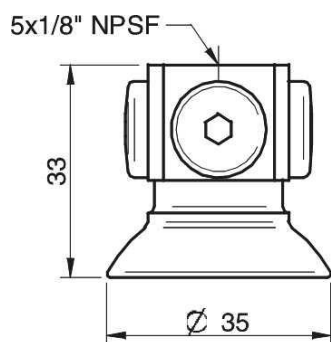
Материал

	Полиуретан (PU60)
Цвет	Зеленый прозрачный
Жесткость	60 °Shore A
Temperature	10 – 50 °C

Соппротивление материала

	Полиуретан (PU60)
Алкоголь	N/A
Концентрированные кислоты	+
Этанол	+
Гидролиз	+
Метанол	-
Масло	+++
Окисление	-
Бензин	+
Износостойкость	+++
Атмосферные условия и озон	+++

Масштабные чертежи



Values specified in the data sheet are tested at:

Room temperature	(20°C [68°F] ± 3°C [5.5°F])
Standard atmosphere	(101.3 [29.9 inHg] ± 1.0 kPa [0.3 inHg])
Relative humidity	0-100%
Compressed air quality	DIN ISO 8573-1 class 4

Запчасти

	Номер изделия
Fitting 5x1/8" NPSF female, 30-40	0100261
Suction cup FC35P Polyurethane 60	0103291

Аксессуары

	Номер изделия
Fitting 1/4" NPT male, with dual flow control valve	3251008
Fitting 1/4" NPT male, with mesh filter	3250093
Fitting 1/8" NPSF female, 30-40	3250005
Fitting 1/8" NPSF female, 30-40, with dual flow control valve	3251006
Fitting 1/8" NPSF female, 30-40, with mesh filter	0101153
Fitting 3/8" NPT male, with dual flow control valve	3251010
Fitting 3/8" NPT male, with mesh filter	3250089
Fitting 5x1/8" NPSF female, 30-40, with dual flow control valve	3251011
Fitting G1/4" male, 30-40, with mesh filter	3250091
Fitting G1/4" male, 30-40, with mesh filter and dual flow control valve	3251007
Fitting G3/8" male, 30-40, with mesh and dual flow control valve	3251009
Fitting G3/8" male, 30-40, with mesh filter	3250086
Suction cup FC35P Polyurethane 50	0103290