

# Suction cup FC35P Polyurethane 60, G3/8" male, with mesh filter, 0103720



- Suitable for slightly domed and flat and oily surfaces, e.g., such as those encountered when handling steel sheets in press processes.
- Thanks to the high friction of the rubber material, the suction cups can withstand high forces at rapid accelerations in horizontal directions, even on oily surfaces.
- The suction cups have cleats that prevent thin objects from being disfigured.
- DURAFLEX® suction cups manufactured in a specially developed material that features the elasticity of rubber and wear resistance of polyurethane. The material does not leave any marks on the objects handled.

## Общее

Curve radius	32 mm
Movement, vertical max.	5,5 mm
Применение	Присоски не оставляющие следов, Присоски для транспортировки металлических листов с сухой поверхностью
Материал	Полиуретан (PU60)
Модель присоски	FC
Форма	Плоская вогнутая присоска
Объем	5 см <sup>3</sup>
Weight	6 g

## Фитинга

Размер креплений	3/8"
Конструкция фитинга	Наружная резьба
Конструкция фитинга	G-резьба
Варианты фитингов	Сетка фильтра

## Измерение

Высота	31 mm
Внешний диаметр	35 mm

## Производительность — подъемная сила

		
20 -kPa	11 N	27 N
60 -kPa	34 N	41 N
90 -kPa	49 N	51 N

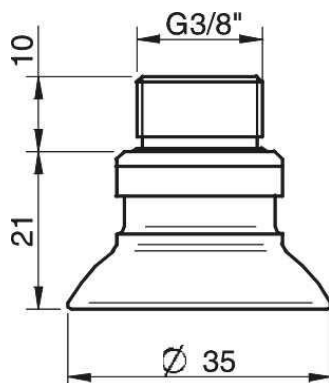
## Материал

	Полиуретан (PU60)
Цвет	Зеленый прозрачный
Жесткость	60 °Shore A
Temperature	10 – 50 °C

## Сопротивление материала

	Полиуретан (PU60)
Алкоголь	N/A
Концентрированные кислоты	+
Этанол	+
Гидролиз	+
Метанол	-
Масло	+++
Окисление	-
Бензин	+
Износостойкость	+++
Атмосферные условия и озон	+++

## Масштабные чертежи



## Values specified in the data sheet are tested at:

Room temperature	(20°C [68°F] ± 3°C [5.5°F])
Standard atmosphere	(101.3 [29.9 inHg] ± 1.0 kPa [0.3 inHg])
Relative humidity	0-100%
Compressed air quality	DIN ISO 8573-1 class 4

## Запчасти

	Номер изделия
Fitting G3/8" male, 30–40, with mesh filter	3250086
Suction cup FC35P Polyurethane 60	0103291

## Аксессуары

	Номер изделия
Fitting 1/4" NPT male, with dual flow control valve	3251008
Fitting 1/4" NPT male, with mesh filter	3250093
Fitting 1/8" NPSF female, 30-40	3250005
Fitting 1/8" NPSF female, 30-40, with dual flow control valve	3251006
Fitting 1/8" NPSF female, 30-40, with mesh filter	0101153
Fitting 3/8" NPT male, with dual flow control valve	3251010
Fitting 3/8" NPT male, with mesh filter	3250089
Fitting 5x1/8" NPSF female, 30-40	0100261
Fitting 5x1/8" NPSF female, 30-40, with dual flow control valve	3251011
Fitting G1/4" male, 30-40, with mesh filter	3250091
Fitting G1/4" male, 30-40, with mesh filter and dual flow control valve	3251007
Fitting G3/8" male, 30-40, with mesh and dual flow control valve	3251009
Suction cup FC35P Polyurethane 50	0103290