

Bellows suction cup S.B75-2S50.NS18F.50



- ▶ The lifting movement can be used to separate small and thin objects.
- ▶ Only lightweight objects should be handled when the lifting force is parallel to the surface of the object, in order to achieve good precision and safe lifting movement.
- ▶ Suitable for level adjustment. Several short bellows in one lifting device can handle objects with height differences and varying shapes, for example embossed or corrugated plates.
- ▶ With mesh filter.

Lifting force

Description	Vertical			Parallel		
	20 -kPa	60 -kPa	90 -kPa	20 -kPa	60 -kPa	90 -kPa
Lifting forces	74.0 N	167.0 N	226.0 N	62.4 N	122.4 N	154.1 N

Technical data

Description	Unit	Value
Internal volume	cm ³	110.0
Weight	g	123
Min. curve radius -60 kPa	mm	40.0
Max. vertical movement	mm	24.0
Application	-	Dry sheet metal, Corrugated / cardboard,
Material	-	Silicone (SIL)
Colour	-	Red
Suction cup model	-	B
Suction cup shape	-	Bellows
Hardness °Shore A	-	50 °Shore A
Temperature range (°C)	°C	-40 – 200
Actuated outer diameter, Max	mm	88.0

Fitting specification

Description	Value
Fitting size	1/8"
Fitting style	Female
Fitting type	NPSF-Thread
Fitting material	SS, Al, NBR
Fitting option	Filter mesh and filter disc

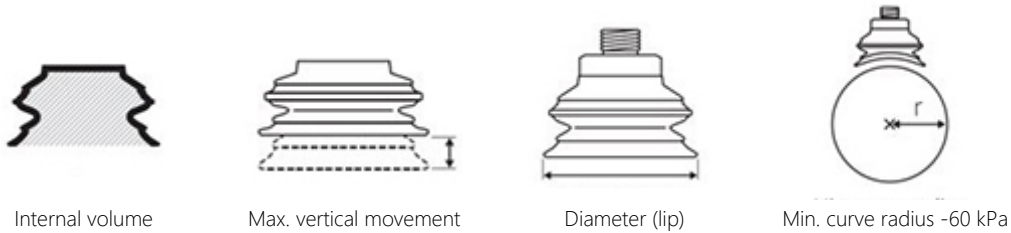
Material resistance , Silicone, SIL

Description	Value
Alcohol	Good
Concentrated Acids	Poor
Ethanol	N/A
Hydrolysis	Good
Methanol	N/A

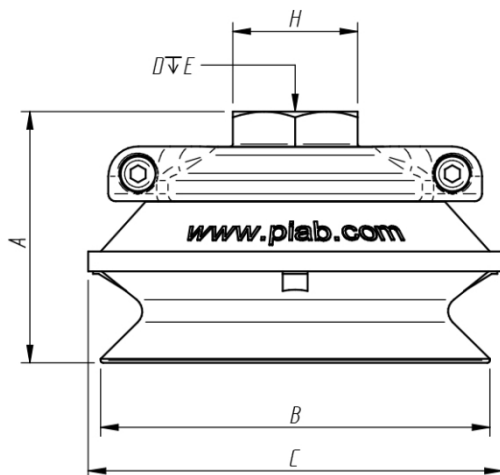
Oil	Fair
Oxidation	Good
Petrol	Fair
Wear Resistance	Excellent
Weather & Ozone	Good

Values specified in data sheet are tested at:

- Room temperature (20°C [68°F] ± 3°C [5.5°F]).
- Standard atmosphere (101.3 [29.9 inHg] ± 1.0 kPa [0.3 inHg]).
- Relative humidity 20-70%.
- Compressed air quality, DIN ISO 8573-1 class 4.



Dimensional drawing



Product code	Description	Unit	Value
A	Building height	mm [inch]	50.0 [1.97"]
B	Diameter (lip)	mm [inch]	78.0 [3.07"]
C	Diameter (bellows)	mm [inch]	85.0 [3.35"]
D	Thread	-	NPSF 1/8"
E	Thread height	mm [inch]	9.0 [0.35"]
H	Keygrip	mm	SW 25

Ordering information

Description	Product code
Bellows suction cup, Ø 75mm model 2, Silicone, SIL, 50 °Shore A, NPSF-Thread, 1/8", Female, Filter mesh and filter disc	S.B75-2S50.NS18F.50

Ordering information, spare parts

Description	Art. No.
Fitting 75, 1/8" NPSF female, with mesh filter	0100548
Suction cup B75-2 Silicone with filter	0101943
Filter D=80, 10 pcs, for B75-2	0201149

Ordering information, accessories

Description	Art. No.
Fitting 75, 3/8" NPSF female, with mesh filter	0100553
Fitting 75, G1/2" female, with mesh filter	0100555
Fitting 75, G3/8" female, with mesh filter	0100551
Suction cup B75-2 Nitrile-PVC with filter	0101942
Suction cup B75-2 Silicone FCM with filter	0200485