

Bellows suction cup

S.B15-2S50.MM5M.00



- ▶ The lifting movement can be used to separate small and thin objects.
- ▶ Only lightweight objects should be handled when the lifting force is parallel to the surface of the object, in order to achieve good precision and safe lifting movement.
- ▶ Suitable for level adjustment.

Lifting force

| Description | Vertical | | | Parallel | | |
|----------------|----------|---------|---------|----------|---------|---------|
| | 20 -kPa | 60 -kPa | 90 -kPa | 20 -kPa | 60 -kPa | 90 -kPa |
| Lifting forces | 2.9 N | 5.9 N | 8.9 N | 1.7 N | 3.2 N | 3.8 N |

Technical data

| Description | Unit | Value |
|------------------------------|-----------------|------------------------------------------|
| Internal volume | cm ³ | 1.1 |
| Weight | g | 4 |
| Min. curve radius -60 kPa | mm | 5.0 |
| Max. vertical movement | mm | 6.7 |
| Application | - | Dry sheet metal, Corrugated / cardboard, |
| Material | - | Silicone (SIL) |
| Colour | - | Red |
| Suction cup model | - | B |
| Suction cup shape | - | Bellows |
| Hardness °Shore A | - | 50 °Shore A |
| Temperature range (°C) | °C | -40 – 200 |
| Actuated outer diameter, max | mm | 19 |

Fitting

| Description | Value |
|------------------|----------|
| Fitting size | M5 |
| Fitting style | Male |
| Fitting type | M-Thread |
| Fitting material | CuZn, PA |
| Fitting option | None |

Material resistance , Silicone, SIL

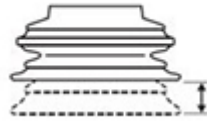
| Description | Value |
|--------------------|-----------|
| Alcohol | Good |
| Concentrated Acids | Poor |
| Ethanol | N/A |
| Hydrolysis | Fair |
| Methanol | N/A |
| Oil | Poor |
| Oxidation | Excellent |
| Petrol | Poor |
| Wear Resistance | Good |
| Weather & Ozone | Excellent |

Values specified in data sheet are tested at:

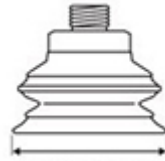
- Room temperature (20°C [68°F] ± 3°C [5.5°F]).
- Standard atmosphere (101.3 [29.9 inHg] ± 1.0 kPa [0.3 inHg]).
- Relative humidity 20-70%.
- Compressed air quality, DIN ISO 8573-1 class 4.



Internal volume



Max. vertical movement

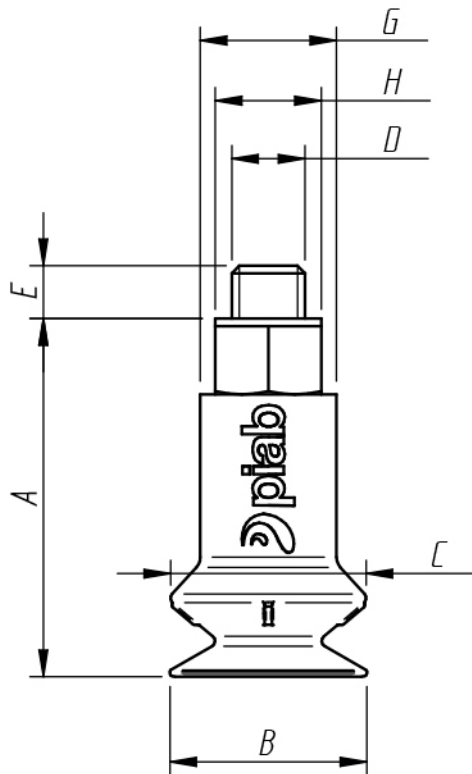


Diameter lip



Min. curve radius -60 kPa

Dimensional drawing



| Product code | Description | Unit | Value |
|--------------|---------------------------|-----------|----------------|
| A | Building height | mm [inch] | 24.8 [0.98"] |
| B | Diameter lip | mm [inch] | 15.7 [0.62"] |
| C | Diameter (bellow) | mm [inch] | 17.5 [0.69"] |
| D | Thread | - | 10-32 UNF (M5) |
| E | Thread height | mm [inch] | 3.5 [0.14"] |
| G | Diameter (upper part cup) | mm [inch] | 9.0 [0.35"] |
| H | Keygrip | mm | SW 7 |

Ordering information

| Description | Product code |
|------------------------------------------------------------------------------------------|--------------------|
| Belows suction cup, Ø 15mm model 2, Silicone, SIL, 50 °Shore A, M-Thread, M5, Male, None | S.B15-2S50.MM5M.00 |

Ordering information, spare parts

| Description | Art. No. |
|----------------------------|----------|
| Fitting M5 male, 10-15 | 3107030 |
| Suction cup B15-2 Silicone | 3150230S |

Ordering information, accessories

| Description | Art. No. |
|--------------------------------|----------|
| Fitting G1/8" male | 0213734 |
| Suction cup B15-2 Chloroprene | 3150230 |
| Suction cup B15-2 HNBR | 0128693 |
| Suction cup B15-2 Silicone FCM | 0200271 |

Storage guidelines (scan QR code)

