

Bellows suction cup

S.B20HN50.G18M.01



- ▶ The lifting movement can be used to separate small and thin objects.
- ▶ Only lightweight objects should be handled when the lifting force is parallel to the surface of the object, in order to achieve good precision and safe lifting movement.
- ▶ Suitable for level adjustment. Several short bellows in one lifting device can handle objects with height differences and varying shapes, for example embossed or corrugated plates.
- ▶ With mesh filter.

Lifting force

Description	Vertical			Parallel		
	20 -kPa	60 -kPa	90 -kPa	20 -kPa	60 -kPa	90 -kPa
Lifting forces	5.9 N	9.8 N	14.0 N	2.9 N	5.4 N	8.2 N

Technical data

Description	Unit	Value
Internal volume	cm ³	2.7
Weight	g	6
Min. curve radius -60 kPa	mm	10.0
Max. vertical movement	mm	10.0
Application	-	Dry sheet metal, Glass handling, High/low temp cup (plastic), Plastic injection molded parts,
Material	-	Hydrogenated Nitrile (HNBR)
Colour	-	Blue
Suction cup model	-	B
Suction cup shape	-	Bellows
Hardness °Shore A	-	50 °Shore A
Temperature range (°C)	°C	-30 – 140
Actuated outer diameter, max	mm	25.8

Fitting

Description	Value
Fitting size	1/8"
Fitting style	Male
Fitting type	G-Thread
Fitting material	SS, Al, NBR
Fitting option	Filter mesh

Material resistance , Hydrogenated Nitrile, HNBR

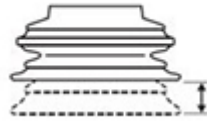
Description	Value
Alcohol	Good
Concentrated Acids	Fair
Ethanol	N/A
Hydrolysis	Good
Methanol	N/A
Oil	Excellent
Oxidation	Excellent
Petrol	Excellent
Wear Resistance	Excellent
Weather & Ozone	Excellent

Values specified in data sheet are tested at:

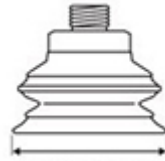
- Room temperature (20°C [68°F] ± 3°C [5.5°F]).
- Standard atmosphere (101.3 [29.9 inHg] ± 1.0 kPa [0.3 inHg]).
- Relative humidity 20-70%.
- Compressed air quality, DIN ISO 8573-1 class 4.



Internal volume



Max. vertical movement

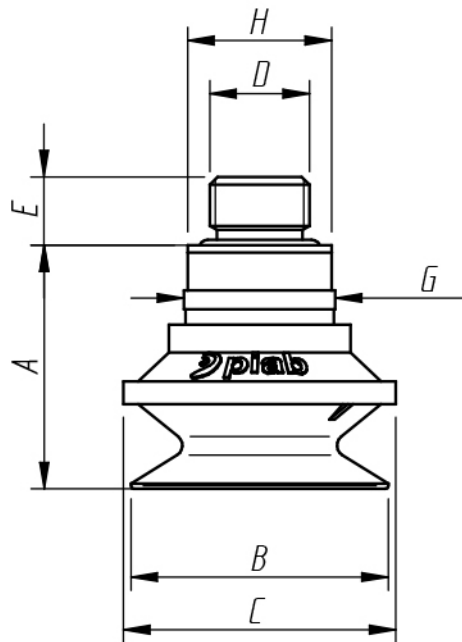


Diameter lip



Min. curve radius -60 kPa

Dimensional drawing



Product code	Description	Unit	Value
A	Building height	mm [inch]	24.0 [0.94"]
B	Diameter lip	mm [inch]	22.0 [0.87"]
C	Diameter (bellows)	mm [inch]	24.0 [0.94"]
D	Thread	-	G1/8"
E	Thread height	mm [inch]	7.0 [0.28"]
G	Diameter (upper part cup)	mm [inch]	14.5 [0.57"]
H	Keygrip	mm	SW 14

Ordering information

Description	Product code
Bellows suction cup , Ø 20mm, Hydrogenated Nitrile, HNBR, 50 °Shore A, G-Thread, 1/8", Male, Filter mesh	S.B20HN50.G18M.01

Ordering information, spare parts

Description	Art. No.
Fitting G1/8" male, with mesh filter	3250085
Suction cup B20 HNBR	0128712

Ordering information, accessories

Description	Art. No.
Fitting M5 female	3250003
Fitting M5 female, with dual flow control valve	3251001
Fitting G1/8" male, check valve	3251002
Fitting G1/8" male/M5 female, with mesh filter	0101152
Fitting G1/8" male/M5 female, with dual flow control valve	3251004
Fitting G1/8" male/M5 female, with cone valve	0101155
Fitting G1/8" male/M5 female, PA	3150196
Fitting 5xM5 female	0100260
Fitting 5xM5 female, with dual flow control valve	3251005
Fitting 1/8" NPT male, with dual flow control valve	3251003
Fitting 1/8" NPT male, with mesh filter	3250088
Fitting G1/8" male/M5 female	3250004
Suction cup B20 Chloroprene	0101101
Suction cup B20 Silicone	0101102
Suction cup B20MF Thermoelastic polyurethane	0101111
Suction cup B20 Silicone FCM	0200405

Storage guidelines (scan QR code)

