

Bellows suction cup

S.B20CR60.G18MMM5FC.00



- ▶ The lifting movement can be used to separate small and thin objects.
- ▶ Only lightweight objects should be handled when the lifting force is parallel to the surface of the object, in order to achieve good precision and safe lifting movement.
- ▶ Suitable for level adjustment. Several short bellows in one lifting device can handle objects with height differences and varying shapes, for example embossed or corrugated plates.

Lifting force

Description	Vertical			Parallel		
	20 -kPa	60 -kPa	90 -kPa	20 -kPa	60 -kPa	90 -kPa
Lifting forces	5.9 N	9.8 N	14.0 N	2.9 N	5.4 N	8.2 N

Technical data

Description	Unit	Value
Internal volume	cm ³	2.7
Weight	g	5
Min. curve radius -60 kPa	mm	10.0
Max. vertical movement	mm	10.0
Application	-	Dry sheet metal,
Material	-	Chloroprene (CR)
Colour	-	Black
Suction cup model	-	B
Suction cup shape	-	Bellows
Hardness °Shore A	-	60 °Shore A
Temperature range (°C)	°C	-40 – 110
Actuated outer diameter, max	mm	25.8

Fitting

Description	Value
Fitting size	1/8"
Fitting style	Male with Metric M5 Female Composite
Fitting type	G-Thread
Fitting material	PA Composite
Fitting option	None

Material resistance , Chloroprene

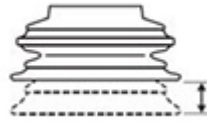
Description	Value
Alcohol	Good
Concentrated Acids	Poor
Ethanol	N/A
Hydrolysis	Good
Methanol	N/A
Oil	Fair
Oxidation	Good
Petrol	Fair
Wear Resistance	Excellent
Weather & Ozone	Good

Values specified in data sheet are tested at:

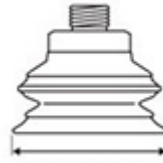
- Room temperature (20°C [68°F] ± 3°C [5.5°F]).
- Standard atmosphere (101.3 [29.9 inHg] ± 1.0 kPa [0.3 inHg]).
- Relative humidity 20-70%.
- Compressed air quality, DIN ISO 8573-1 class 4.



Internal volume



Max. vertical movement

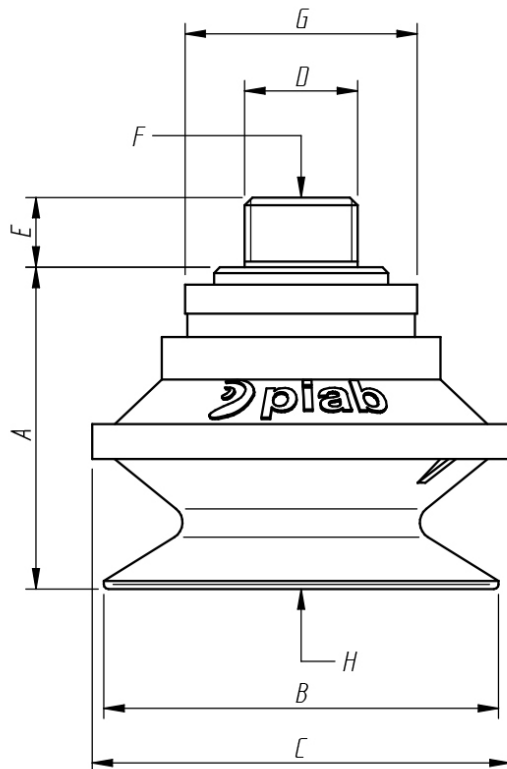


Diameter lip



Min. curve radius -60 kPa

Dimensional drawing



Product code	Description	Unit	Value
A	Building height	mm [inch]	22.5 [0.89"]
B	Diameter lip	mm [inch]	22.0 [0.87"]
C	Diameter (bellow)	mm [inch]	24.0 [0.94"]
D	Thread	-	G1/8"
E	Thread height	mm [inch]	6.0 [0.24"]
F	Thread, 2nd	-	M5 [M5"]
G	Diameter (upper part cup)	mm [inch]	14.5 [0.57"]
H	Keygrip	mm	SW 3

Ordering information

Description	Product code
Bellows suction cup , Ø 20mm, Chloroprene, 60 °Shore A, G-Thread, 1/8", Male with Metric M5 Female Composite, None	S.B20CR60.G18MMM5FC.00

Ordering information, spare parts

Description	Art. No.
Fitting G1/8" male/M5 female, PA	3150196
Suction cup B20 Chloroprene	0101101

Ordering information, accessories

Description	Art. No.
Fitting M5 female	3250003
Fitting M5 female, with dual flow control valve	3251001
Fitting G1/8" male, with mesh filter	3250085
Fitting G1/8" male, check valve	3251002
Fitting G1/8" male/M5 female, with mesh filter	0101152
Fitting G1/8" male/M5 female, with dual flow control valve	3251004
Fitting G1/8" male/M5 female, with cone valve	0101155
Fitting 5xM5 female	0100260
Fitting 5xM5 female, with dual flow control valve	3251005
Fitting 1/8" NPT male, with dual flow control valve	3251003
Fitting 1/8" NPT male, with mesh filter	3250088
Fitting G1/8" male/M5 female	3250004
Suction cup B20 Silicone	0101102
Suction cup B20MF Thermoelastic polyurethane	0101111
Suction cup B20 HNBR	0128712
Suction cup B20 Silicone FCM	0200405

Storage guidelines (scan QR code)

