

Bellows suction cup

S.B30-2CR60.NS518F.00



- ▶ The lifting movement can be used to separate small and thin objects.
- ▶ Only lightweight objects should be handled when the lifting force is parallel to the surface of the object, in order to achieve good precision and safe lifting movement.
- ▶ Suitable for level adjustment. Several short bellows in one lifting device can handle objects with height differences and varying shapes, for example embossed or corrugated plates.

Lifting force

Description	Vertical			Parallel		
	20 -kPa	60 -kPa	90 -kPa	20 -kPa	60 -kPa	90 -kPa
Lifting forces	12.0 N	22.0 N	27.0 N	9.4 N	16.6 N	22.2 N

Technical data

Description	Unit	Value
Internal volume	cm ³	10.0
Weight	g	31
Min. curve radius -60 kPa	mm	15.0
Max. vertical movement	mm	14.0
Application	-	Dry sheet metal,
Material	-	Chloroprene (CR)
Colour	-	Black
Suction cup model	-	B
Suction cup shape	-	Bellows
Hardness °Shore A	-	60 °Shore A
Temperature range (°C)	°C	-40 – 110
Actuated outer diameter, max	mm	38.3

Fitting

Description	Value
Fitting size	5x1/8"
Fitting style	Female
Fitting type	NPSF-Thread
Fitting material	PPS, Al, NBR
Fitting option	None

Material resistance , Chloroprene

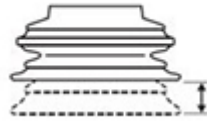
Description	Value
Alcohol	Good
Concentrated Acids	Poor
Ethanol	N/A
Hydrolysis	Good
Methanol	N/A
Oil	Fair
Oxidation	Good
Petrol	Fair
Wear Resistance	Excellent
Weather & Ozone	Good

Values specified in data sheet are tested at:

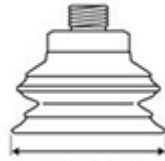
- Room temperature (20°C [68°F] ± 3°C [5.5°F]).
- Standard atmosphere (101.3 [29.9 inHg] ± 1.0 kPa [0.3 inHg]).
- Relative humidity 20-70%.
- Compressed air quality, DIN ISO 8573-1 class 4.



Internal volume



Max. vertical movement

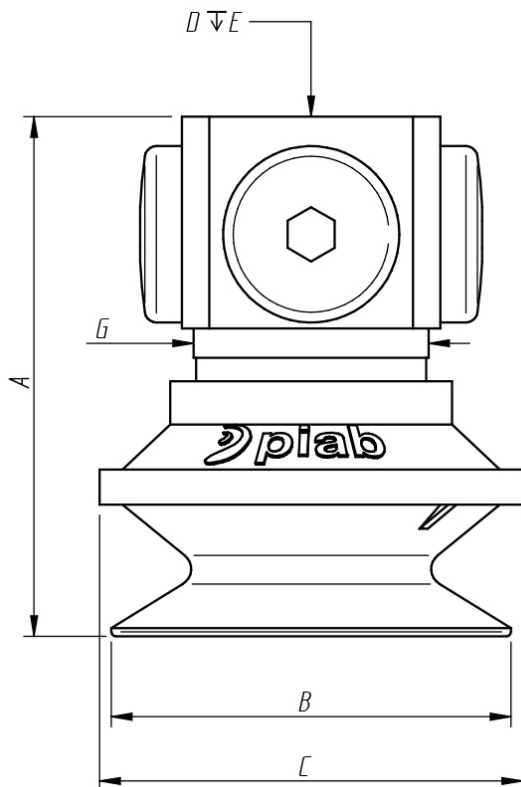


Diameter lip



Min. curve radius -60 kPa

Dimensional drawing



Product code	Description	Unit	Value
A	Building height	mm [inch]	44.2 [1.74"]
B	Diameter lip	mm [inch]	34.0 [1.34"]
C	Diameter (bellows)	mm [inch]	36.0 [1.42"]
D	Thread	-	5xNPSF 1/8"
E	Thread height	mm [inch]	7.0 [0.28"]
G	Diameter (upper part cup)	mm [inch]	20.0 [0.79"]

Ordering information

Description	Product code
Bellows suction cup, Ø 30mm model 2, Chloroprene, 60 °Shore A, NPSF-Thread, 5x1/8", Female, None	S.B30-2CR60.NS518F.00

Ordering information, spare parts

Description	Art. No.
Fitting 5x1/8" NPSF female, 30-40	0100261
Suction cup B30-2 Chloroprene	0101103
Filter D=34, HDPE, 20 pcs	0201148

Ordering information, accessories

Description	Art. No.
Fitting 1/8" NPSF female, 30–40	3250005
Fitting 1/8" NPSF female, 30–40, with mesh filter	0101153
Fitting 1/8" NPSF female, 30–40, with dual flow control valve	3251006
Fitting 1/8" NPSF female, 30–40, with cone valve	0101156
Fitting 1/8" NPSF female, 30–40, PA	3150197
Fitting G1/4" male, 30–40, with mesh filter	3250091
Fitting G1/4" male, 30–40, with mesh filter and dual flow control valve	3251007
Fitting G3/8" male, 30–40, with mesh filter	3250086
Fitting G3/8" male, 30–40, with mesh and dual flow control valve	3251009
Fitting 5x1/8" NPSF female, 30–40, with dual flow control valve	3251011
Fitting 1/4" NPT male, with mesh filter	3250093
Fitting 1/4" NPT male, with dual flow control valve	3251008
Fitting 3/8" NPT male, with mesh filter	3250089
Fitting 3/8" NPT male, with dual flow control valve	3251010
Fitting G1/8" male, 40, with mesh filter	0200714
Suction cup B30-2 Silicone	0101104
Suction cup B30-2 HNBR	0108077
Suction cup B30-2 Silicone FCM	0200407

Storage guidelines (scan QR code)

