

# Bellows suction cup

S.B40S50.NS518F.00



- ▶ The lifting movement can be used to separate small and thin objects.
- ▶ Only lightweight objects should be handled when the lifting force is parallel to the surface of the object, in order to achieve good precision and safe lifting movement.
- ▶ Suitable for level adjustment. Several short bellows in one lifting device can handle objects with height differences and varying shapes, for example embossed or corrugated plates.

## Lifting force

| Description    | Vertical |         |         | Parallel |         |         |
|----------------|----------|---------|---------|----------|---------|---------|
|                | 20 -kPa  | 60 -kPa | 90 -kPa | 20 -kPa  | 60 -kPa | 90 -kPa |
| Lifting forces | 22.0 N   | 39.0 N  | 49.0 N  | 17.1 N   | 26.3 N  | 30.5 N  |

## Technical data

| Description                  | Unit            | Value                                    |
|------------------------------|-----------------|--|
| Internal volume              | cm <sup>3</sup> | 15.0                                     |
| Weight                       | g               | 37                                       |
| Min. curve radius -60 kPa    | mm              | 20.0                                     |
| Max. vertical movement       | mm              | 13.5                                     |
| Application                  | -               | Dry sheet metal, Corrugated / cardboard, |
| Material                     | -               | Silicone (SIL)                           |
| Colour                       | -               | Red                                      |
| Suction cup model            | -               | B  |
| Suction cup shape            | -               | Bellows                                  |
| Hardness °Shore A            | -               | 50 °Shore A                              |
| Temperature range (°C)       | °C              | -40 – 200                                |
| Actuated outer diameter, max | mm              | 48                                       |

## Fitting

| Description      | Value        |
|------------------|--------------|
| Fitting size     | 5x1/8"       |
| Fitting style    | Female       |
| Fitting type     | NPSF-Thread  |
| Fitting material | PPS, Al, NBR |
| Fitting option   | None         |

## Material resistance , Silicone, SIL

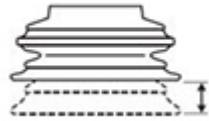
| Description        | Value     |
|--------------------|-----------|
| Alcohol            | Good      |
| Concentrated Acids | Poor      |
| Ethanol            | N/A       |
| Hydrolysis         | Fair      |
| Methanol           | N/A       |
| Oil                | Poor      |
| Oxidation          | Excellent |
| Petrol             | Poor      |
| Wear Resistance    | Good      |
| Weather & Ozone    | Excellent |

### Values specified in data sheet are tested at:

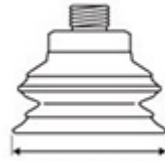
- Room temperature (20°C [68°F] ± 3°C [5.5°F]).
- Standard atmosphere (101.3 [29.9 inHg] ± 1.0 kPa [0.3 inHg]).
- Relative humidity 20-70%.
- Compressed air quality, DIN ISO 8573-1 class 4.



Internal volume



Max. vertical movement

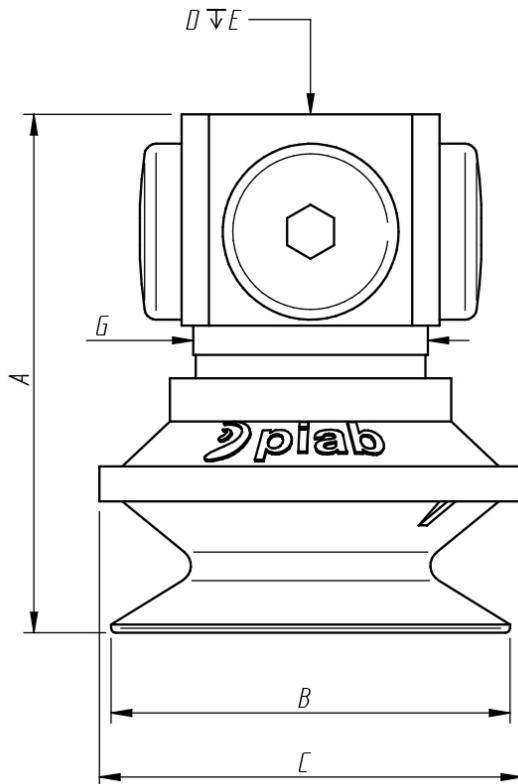


Diameter lip



Min. curve radius -60 kPa

### Dimensional drawing



| Product code | Description               | Unit      | Value        |
|--------------|---------------------------|-----------|--------------|
| A            | Building height           | mm [inch] | 46.0 [1.81"] |
| B            | Diameter lip              | mm [inch] | 43.0 [1.69"] |
| C            | Diameter (bellows)        | mm [inch] | 46.0 [1.81"] |
| D            | Thread                    | -         | 5xNPSF 1/8"  |
| E            | Thread height             | mm [inch] | 7.0 [0.28"]  |
| G            | Diameter (upper part cup) | mm [inch] | 20.0 [0.79"] |

### Ordering information

| Description  | Product code       |
|--|--------------------|
| <b>Bellows suction cup</b> , Ø 40mm, Silicone, SIL, 50 °Shore A, NPSF-Thread, 5x1/8", Female, None | S.B40S50.NS518F.00 |

### Ordering information, spare parts

| Description                       | Art. No. |
|-----------------------------------|----------|
| Fitting 5x1/8" NPSF female, 30-40 | 0100261  |
| Suction cup B40 Silicone          | 0101106  |

## Ordering information, accessories

| Description   | Art. No. |
|---|----------|
| Fitting 1/8" NPSF female, 30–40   | 3250005  |
| Fitting 1/8" NPSF female, 30–40, with mesh filter                       | 0101153  |
| Fitting 1/8" NPSF female, 30–40, with dual flow control valve           | 3251006  |
| Fitting 1/8" NPSF female, 30–40, with cone valve                        | 0101156  |
| Fitting 1/8" NPSF female, 30–40, PA                                     | 3150197  |
| Fitting G1/4" male, 30–40, with mesh filter                             | 3250091  |
| Fitting G1/4" male, 30–40, with mesh filter and dual flow control valve | 3251007  |
| Fitting G3/8" male, 30–40, with mesh filter                             | 3250086  |
| Fitting G3/8" male, 30–40, with mesh and dual flow control valve        | 3251009  |
| Fitting 5x1/8" NPSF female, 30–40, with dual flow control valve         | 3251011  |
| Fitting 1/4" NPT male, with mesh filter                                 | 3250093  |
| Fitting 1/4" NPT male, with dual flow control valve                     | 3251008  |
| Fitting 3/8" NPT male, with mesh filter                                 | 3250089  |
| Fitting 3/8" NPT male, with dual flow control valve                     | 3251010  |
| Fitting G1/8" male, 40, with mesh filter                                | 0200714  |
| Suction cup B40 Chloroprene   | 0101105  |
| Suction cup B40 HNBR  | 0108081  |
| Suction cup B40MF Thermoelastic polyurethane                            | 0101113  |
| Suction cup B40 Silicone FCM  | 0200408  |

Storage guidelines (scan QR code)

