

Bellows suction cup S.B50-2NP50.NS518F.02



- ▶ The lifting movement can be used to separate small and thin objects.
- ▶ Only lightweight objects should be handled when the lifting force is parallel to the surface of the object, in order to achieve good precision and safe lifting movement.
- ▶ Suitable for level adjustment. Several short bellows in one lifting device can handle objects with height differences and varying shapes, for example embossed or corrugated plates.

Lifting force

Description	Vertical			Parallel		
	20 -kPa	60 -kPa	90 -kPa	20 -kPa	60 -kPa	90 -kPa
Lifting forces	33.0 N	65.0 N	82.0 N	24.2 N	51.2 N	60.8 N

Technical data

Description	Unit	Value
Internal volume	cm ³	32.0
Weight	g	55
Min. curve radius -60 kPa	mm	30.0
Max. vertical movement	mm	12.4
Application	-	Dry sheet metal, Corrugated / cardboard,
Material	-	Nitrile-PVC (NPV)
Colour	-	Black
Suction cup model	-	B
Suction cup shape	-	Bellows
Hardness °Shore A	-	50 °Shore A
Temperature range (°C)	°C	0 – 90
Actuated outer diameter, Max	mm	60.3

Fitting specification

Description	Value
Fitting size	5x1/8"
Fitting style	Female
Fitting type	NPSF-Thread
Fitting material	PPS, AI, NBR
Fitting option	Filter disc

Material resistance , Nitrile-PVC, NPV

Description	Value
Alcohol	Good
Concentrated Acids	Poor
Ethanol	N/A
Hydrolysis	Good
Methanol	N/A

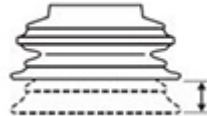
Oil	Fair
Oxidation	Good
Petrol	Fair
Wear Resistance	Excellent
Weather & Ozone	Good

Values specified in data sheet are tested at:

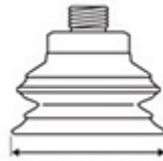
- Room temperature (20°C [68°F] ± 3°C [5.5°F]).
- Standard atmosphere (101.3 [29.9 inHg] ± 1.0 kPa [0.3 inHg]).
- Relative humidity 20-70%.
- Compressed air quality, DIN ISO 8573-1 class 4.



Internal volume



Max. vertical movement

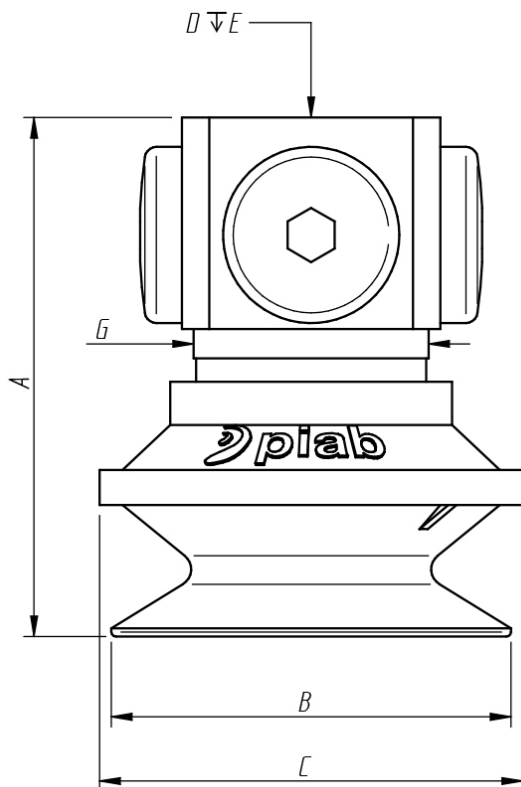


Diameter (lip)



Min. curve radius -60 kPa

Dimensional drawing



Product code	Description	Unit	Value
A	Building height	mm [inch]	53.4 [2.10"]
B	Diameter (lip)	mm [inch]	52.5 [2.07"]
C	Diameter (bellows)	mm [inch]	59.0 [2.32"]
D	Thread	-	5xNPSF 1/8"
E	Thread height	mm [inch]	7.0 [0.28"]
G	Diameter (upper part cup)	mm [inch]	27.0 [1.06"]

Ordering information

Description	Product code
Bellows suction cup, Ø 50mm model 2, Nitrile-PVC, NPV, 50 °Shore A, NPSF-Thread, 5x1/8", Female, Filter disc	S.B50-2NP50.NS518F.02

Ordering information, spare parts

Description	Art. No.
Fitting 5x1/8" NPSF female, 50	0100262
Suction cup B50-2 Nitrile-PVC with filter	0101109
Filter D=54, 20 pcs, for B50-2	0104655

Ordering information, accessories

Description	Art. No.
Fitting 1/8" NPSF female, 50	3250017
Fitting 1/8" NPSF female, 50, with mesh filter	0101154
Fitting 1/8" NPSF female, 50, with dual flow control valve	3251012
Fitting 1/8" NPSF female, 50, with cone valve	0101157
Fitting 1/8" NPSF female, 50, PA	3150198
Fitting G1/4" male, 50, with mesh filter	3250092
Fitting G1/4" male, with mesh filter and dual flow control valve	3251013
Fitting G3/8" male, 50, with mesh filter	3250087
Fitting G3/8" male, 50, with mesh filter and dual flow control valve	3251015
Fitting 5x1/8" NPSF female, 50, with dual flow control valve	3251017
Fitting 1/4" NPT male, with mesh filter	3250094
Fitting 3/8" NPT male, with mesh filter	3250090
Fitting 1/4" NPT male, with dual flow control valve	3251014
Fitting 3/8" NPT male, with dual flow control valve	3251016
Fitting G1/8" male, 50, with mesh filter	0200715
Suction cup B50-2 Silicone with filter	0101110
Suction cup B50-2 Silicone FCM with filter	0200484