

## Bellows suction cup S.B50-2S50.NS18F.50



- ▶ The lifting movement can be used to separate small and thin objects.
- ▶ Only lightweight objects should be handled when the lifting force is parallel to the surface of the object, in order to achieve good precision and safe lifting movement.
- ▶ Suitable for level adjustment. Several short bellows in one lifting device can handle objects with height differences and varying shapes, for example embossed or corrugated plates.
- ▶ With mesh filter.

### Lifting force

Description	Vertical			Parallel		
	20 -kPa	60 -kPa	90 -kPa	20 -kPa	60 -kPa	90 -kPa
Lifting forces	33.0 N	65.0 N	82.0 N	24.2 N	51.2 N	60.8 N

### Technical data

Description	Unit	Value
Internal volume	cm <sup>3</sup>	32.0
Weight	g	24
Min. curve radius -60 kPa	mm	30.0
Max. vertical movement	mm	12.4
Application	-	Dry sheet metal, Corrugated / cardboard,
Material	-	Silicone (SIL)
Colour	-	Red
Suction cup model	-	B
Suction cup shape	-	Bellows
Hardness °Shore A	-	50 °Shore A
Temperature range (°C)	°C	-40 – 200
Actuated outer diameter, Max	mm	60.3

### Fitting specification

Description	Value
Fitting size	1/8"
Fitting style	Female
Fitting type	NPSF-Thread
Fitting material	SS, Al
Fitting option	Filter mesh and filter disc

### Material resistance , Silicone, SIL

Description	Value
Alcohol	Good
Concentrated Acids	Poor
Ethanol	N/A
Hydrolysis	Good
Methanol	N/A

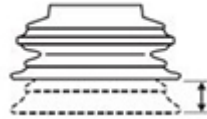
Oil	Fair
Oxidation	Good
Petrol	Fair
Wear Resistance	Excellent
Weather & Ozone	Good

Values specified in data sheet are tested at:

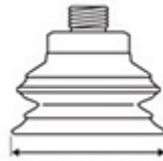
- Room temperature (20°C [68°F] ± 3°C [5.5°F]).
- Standard atmosphere (101.3 [29.9 inHg] ± 1.0 kPa [0.3 inHg]).
- Relative humidity 20-70%.
- Compressed air quality, DIN ISO 8573-1 class 4.



Internal volume



Max. vertical movement

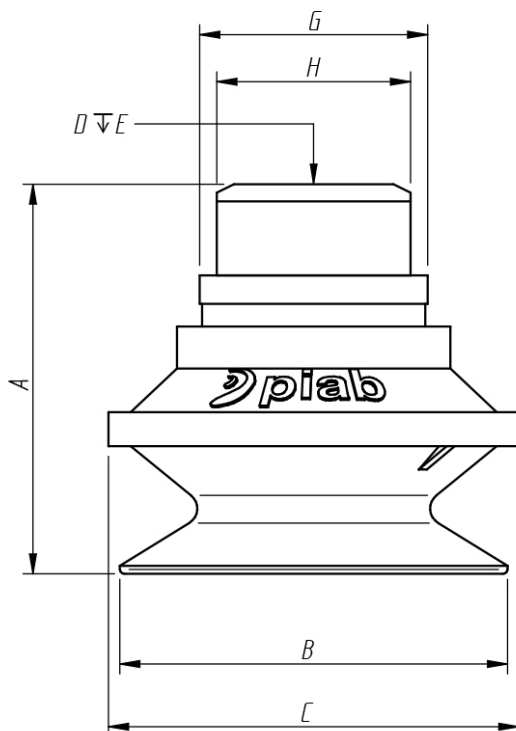


Diameter (lip)



Min. curve radius -60 kPa

Dimensional drawing



Product code	Description	Unit	Value
A	Building height	mm [inch]	44.4 [1.75"]
B	Diameter (lip)	mm [inch]	52.5 [2.07"]
C	Diameter (bellow)	mm [inch]	59.0 [2.32"]
D	Thread	-	NPSF 1/8"
E	Thread height	mm [inch]	7.0 [0.28"]
G	Diameter (upper part cup)	mm [inch]	27.0 [1.06"]
H	Keygrip	mm	SW 22

Ordering information

Description	Product code
Bellows suction cup, Ø 50mm model 2, Silicone, SIL, 50 °Shore A, NPSF-Thread, 1/8", Female, Filter mesh and filter disc	S.B50-2S50.NS18F.50

### Ordering information, spare parts

Description	Art. No.
Fitting 1/8" NPSF female, 50, with mesh filter	0101154
Suction cup B50-2 Silicone with filter	0101110
Filter D=54, 20 pcs, for B50-2	0104655

### Ordering information, accessories

Description	Art. No.
Fitting 1/8" NPSF female, 50	3250017
Fitting 1/8" NPSF female, 50, with dual flow control valve	3251012
Fitting 1/8" NPSF female, 50, with cone valve	0101157
Fitting 1/8" NPSF female, 50, PA	3150198
Fitting G1/4" male, 50, with mesh filter	3250092
Fitting G1/4" male, with mesh filter and dual flow control valve	3251013
Fitting G3/8" male, 50, with mesh filter	3250087
Fitting G3/8" male, 50, with mesh filter and dual flow control valve	3251015
Fitting 5x1/8" NPSF female, 50	0100262
Fitting 5x1/8" NPSF female, 50, with dual flow control valve	3251017
Fitting 1/4" NPT male, with mesh filter	3250094
Fitting 3/8" NPT male, with mesh filter	3250090
Fitting 1/4" NPT male, with dual flow control valve	3251014
Fitting 3/8" NPT male, with dual flow control valve	3251016
Fitting G1/8" male, 50, with mesh filter	0200715
Suction cup B50-2 Nitrile-PVC with filter	0101109
Suction cup B50-2 Silicone FCM with filter	0200484