

Bellows suction cup

S.B150NP50.G34F.01



- ▶ The lifting movement can be used to separate small and thin objects.
- ▶ Only lightweight objects should be handled when the lifting force is parallel to the surface of the object, in order to achieve good precision and safe lifting movement.
- ▶ Suitable for level adjustment. Several short bellows in one lifting device can handle objects with height differences and varying shapes, for example embossed or corrugated plates.
- ▶ With mesh filter.

Lifting force

Description	Vertical		
	20 -kPa	60 -kPa	90 -kPa
Lifting forces	294.0 N	686.0 N	883.0 N

Technical data

Description	Unit	Value
Internal volume	cm ³	650.0
Weight	g	443
Min. curve radius -60 kPa	mm	75.0
Max. vertical movement	mm	46.6
Application	-	Dry sheet metal, Corrugated / cardboard,
Material	-	Nitrile-PVC (NPV)
Colour	-	Black
Suction cup model	-	B
Suction cup shape	-	Bellows
Hardness °Shore A	-	50 °Shore A
Temperature range (°C)	°C	0 – 90
Actuated outer diameter, max	mm	180

Fitting

Description	Value
Fitting size	3/4"
Fitting style	Female
Fitting type	G-Thread
Fitting material	CuZn, SS, Al, NBR
Fitting option	Filter mesh

Material resistance , Nitrile-PVC, NPV

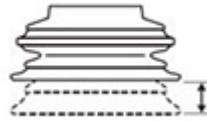
Description	Value
Alcohol	Good
Concentrated Acids	Fair
Ethanol	N/A
Hydrolysis	Good
Methanol	N/A
Oil	Excellent
Oxidation	Good
Petrol	Excellent
Wear Resistance	Excellent
Weather & Ozone	Good

Values specified in data sheet are tested at:

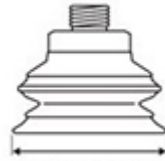
- Room temperature (20°C [68°F] ± 3°C [5.5°F]).
- Standard atmosphere (101.3 [29.9 inHg] ± 1.0 kPa [0.3 inHg]).
- Relative humidity 20-70%.
- Compressed air quality, DIN ISO 8573-1 class 4.



Internal volume



Max. vertical movement

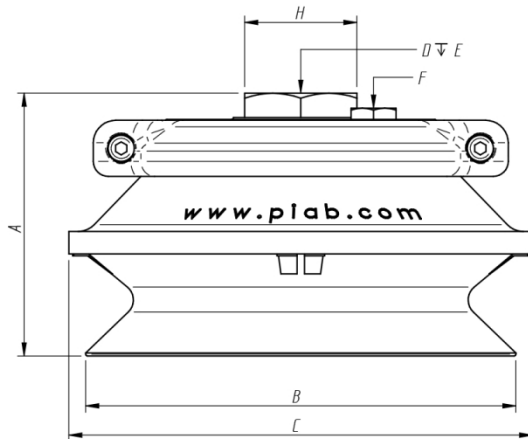


Diameter lip



Min. curve radius -60 kPa

Dimensional drawing



Product code	Description	Unit	Value
A	Building height	mm [inch]	85.3 [3.36"]
B	Diameter lip	mm [inch]	155.0 [6.10"]
C	Diameter (bellows)	mm [inch]	166.0 [6.54"]
D	Thread	-	G3/4"
E	Thread height	mm [inch]	10,000.0 [393.70"]
H	Keygrip	mm	SW 38

Ordering information

Description	Product code
Bellows suction cup , Ø 150mm, Nitrile-PVC, NPV, 50 °Shore A, G-Thread, 3/4", Female, Filter mesh	S.B150NP50.G34F.01

Ordering information, spare parts

Description	Art. No.
Fitting 150, G3/4" female, with mesh filter	0100567
Suction cup B150 Nitrile-PVC	3150109P

Ordering information, accessories

Description	Art. No.
Fitting 150, G1/2" female, with mesh filter	0100564
Suction cup B150 Silicone	3150109S
Suction cup B150 Silicone FCM	0200247

Storage guidelines (scan QR code)

