

# Bellows suction cup

S.B150S60.G12F.01



- ▶ The lifting movement can be used to separate small and thin objects.
- ▶ Only lightweight objects should be handled when the lifting force is parallel to the surface of the object, in order to achieve good precision and safe lifting movement.
- ▶ Suitable for level adjustment. Several short bellows in one lifting device can handle objects with height differences and varying shapes, for example embossed or corrugated plates.
- ▶ With mesh filter.

## Lifting force

Description	20 -kPa	Vertical 60 -kPa	90 -kPa
Lifting forces	294.0 N	686.0 N	883.0 N

## Technical data

Description	Unit	Value
Internal volume	cm <sup>3</sup>	650.0
Weight	g	410
Min. curve radius -60 kPa	mm	75.0
Max. vertical movement	mm	46.6
Application	-	Dry sheet metal, Corrugated / cardboard,
Material	-	Silicone (SIL)
Colour	-	Red
Suction cup model	-	B
Suction cup shape	-	Bellows
Hardness °Shore A	-	60 °Shore A
Temperature range (°C)	°C	-40 – 200
Actuated outer diameter, max	mm	180

## Fitting

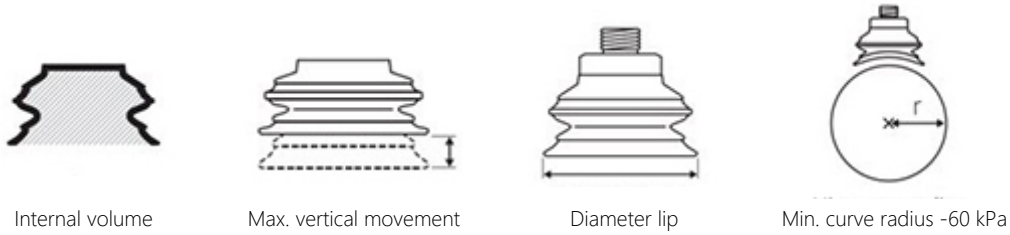
Description	Value
Fitting size	1/2"
Fitting style	Female
Fitting type	G-Thread
Fitting material	CuZn, SS, Al, NBR
Fitting option	Filter mesh

## Material resistance , Silicone, SIL

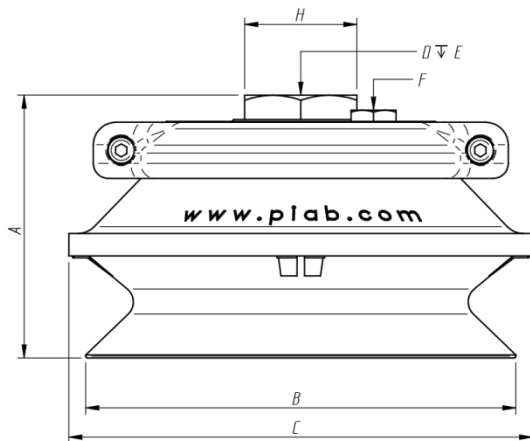
Description	Value
Alcohol	Good
Concentrated Acids	Poor
Ethanol	N/A
Hydrolysis	Fair
Methanol	N/A
Oil	Poor
Oxidation	Excellent
Petrol	Poor
Wear Resistance	Good
Weather & Ozone	Excellent

### Values specified in data sheet are tested at:

- Room temperature (20°C [68°F] ± 3°C [5.5°F]).
- Standard atmosphere (101.3 [29.9 inHg] ± 1.0 kPa [0.3 inHg]).
- Relative humidity 20-70%.
- Compressed air quality, DIN ISO 8573-1 class 4.



### Dimensional drawing



Product code	Description	Unit	Value
A	Building height	mm [inch]	85.3 [3.36"]
B	Diameter lip	mm [inch]	155.0 [6.10"]
C	Diameter (bellow)	mm [inch]	166.0 [6.54"]
D	Thread	-	G1/2"
E	Thread height	mm [inch]	21.0 [0.83"]
H	Keygrip	mm	SW 38

### Ordering information

Description	Product code
<b>Bellows suction cup</b> , Ø 150mm, Silicone, SIL, 60 °Shore A, G-Thread, 1/2", Female, Filter mesh	S.B150S60.G12F.01

### Ordering information, spare parts

Description	Art. No.
Fitting 150, G1/2" female, with mesh filter	0100564
Suction cup B150 Silicone	3150109S

### Ordering information, accessories

Description	Art. No.
Fitting 150, G3/4" female, with mesh filter	0100567
Suction cup B150 Nitrile-PVC	3150109P
Suction cup B150 Silicone FCM	0200247

### Storage guidelines (scan QR code)

