



Item no: 0200503

Suction cup F110 Silicone FCM, 3/8" NPSF female, with mesh filter

The material used is food grade silicone material. It is free from colour pigments, approved by FDA (FDA 21 CFR 177.2600.) and meets EU's regulation EU 1935/2004.(FDA approved). The cup is soft and pliable and can operate at a wide temperature range.

- The silicone material complies with FDA 21 CFR 177.2600 & EU 1935/2004.
- Suitable for flat objects.
- Good stability and little inherent movement.
- Recommended when the lifting force is parallel to the surface of the object.
- Cleats prevent thin, sensitive objects from being deformed and gives extra friction when the lifting force is parallel.

General

Application	Food contact materials (FDA & EU), non-detectable
Suction cup shape	Flat
Material	Silicone (SIL FDA)
Suction cup model	F
Weight	66 g
Volume	70 cm ³
Suction cup model	F110
Movement, vertical max.	4 mm
Curve radius, min.	250 mm



Fitting

Fitting option	Filter mesh
Fitting size	1/8"
Fitting style	Female
Fitting type	NPSF-thread

Dimension

Height	36.2 mm
Outer diameter	112 mm


Performance - lifting forces

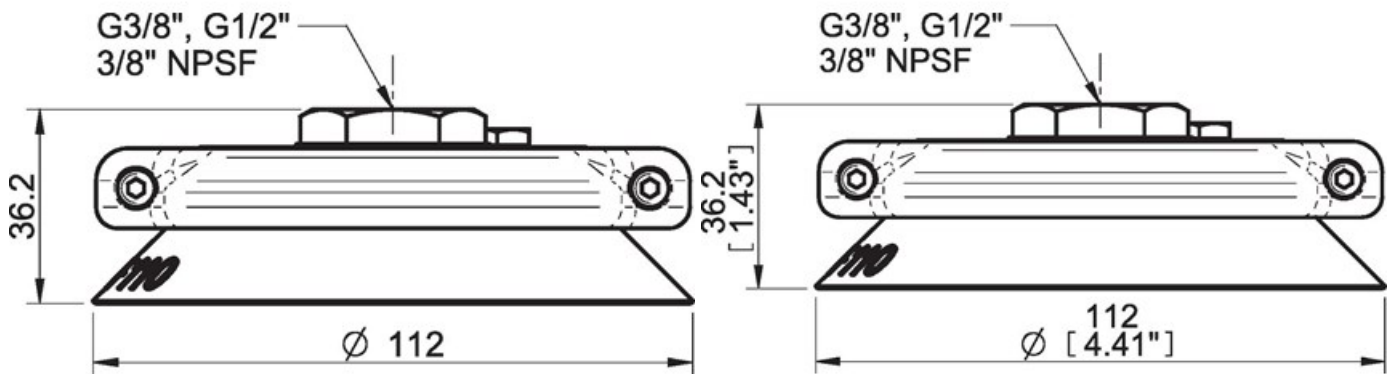
	F110		
20 -kPa		140 N	140 N
60 -kPa		420 N	250 N
90 -kPa		560 N	300 N

Material

Name	SILFDA
Colour	Transparent
Temperature	-40 - 200 °C
Hardness	50 °Shore A

	SILFDA
Alcohol	++
Concentrated acids	-
Ethanol	n/a
Hydrolysis	+
Methanol	n/a
Oil	-
Oxidation	+++
Petrol	-
Wear resistance	++
Weather and ozone	+++

Dimensional drawings 



Values specified in the data sheet are tested at:

- Room temperature: (20° C [68° F] ± 3° C [5.5° F])
 - Standard atmosphere: (101.3 [29.9 inHg] ± 1.0 kPa [0.3 inHg])
 - Relative humidity: 0-100%
 - Compressed air quality: DIN ISO 8573-1 class 4
-

Accessories

0100561 | Fitting 110, G1/2" female, with mesh filter

Spare parts

0200302 | Suction cup F110 Silicone FCM

0100559 | Fitting 110, 3/8" NPSF female, with mesh filter