

Item no: 0101284

Suction cup F20MF Thermoelastic polyurethane, G1/8" male / M5 female

Suction cup of TPU, a mark-free material that leaves no trace on the object being handled. Suitable for flat surfaces. The cleats stop deformation by preventing suction of the object into the cup. The suction cup has good stability and very little movement. Also suitable when the lifting force is parallel to the surface as the cleats increase friction.

- Suction cup of TPU, a mark free material that leaves no trace on the object being handled.
- Suitable for flat surfaces.
- Good stability and little inherent movement.
- Recommended when the lifting force is parallel to the surface of the object.

General

Application	Mark Free
Suction cup shape	Flat
Material	Thermoplastic Polyurethane (TPE-U)
Suction cup model	F-MF
Weight	1.2 g
Volume	1 cm ³
Suction cup model	F20MF
Movement, vertical max.	1.2 mm
Curve radius, min.	18 mm



Fitting

Fitting option	None
Fitting size	18, M5
Fitting style	Female/Male
Fitting type	G, M

Dimension

Height	15.5 mm
Outer diameter	22 mm


Performance - lifting forces

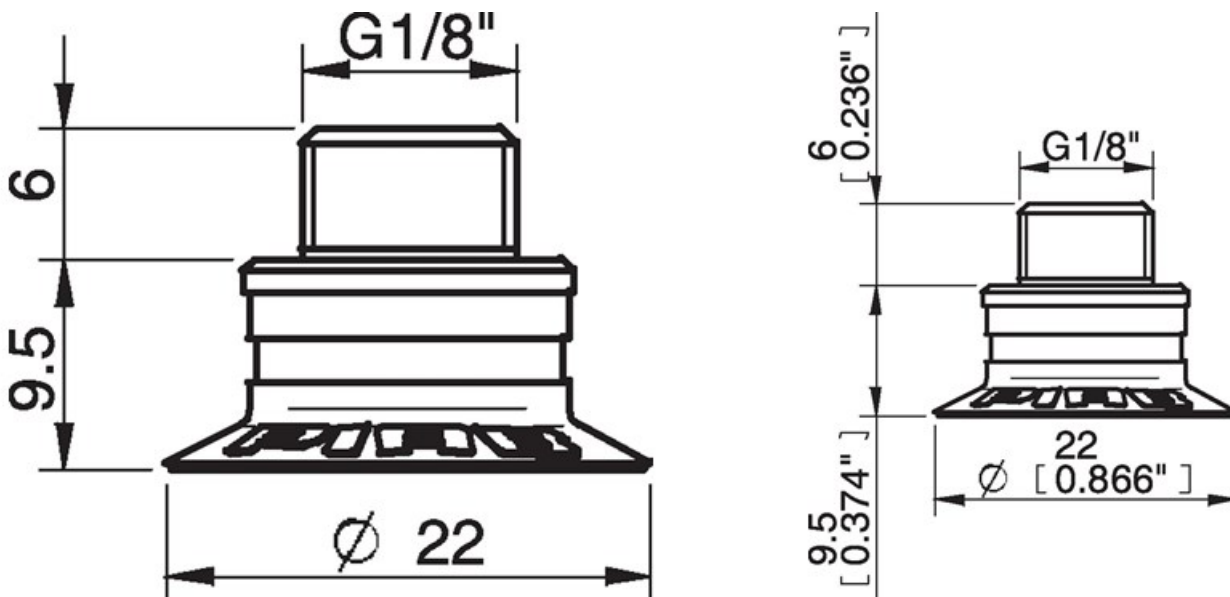
	F20MF		
20 -kPa		3.6 N	8 N
60 -kPa		14.5 N	14.5 N
90 -kPa		22 N	21 N

Material

Name	TPU
Colour	WhiteTransparent
Temperature	-20 - 80 °C
Hardness	81 °Shore A

	TPU
Alcohol	++
Concentrated acids	-
Ethanol	n/a
Hydrolysis	-
Methanol	n/a
Oil	+++
Oxidation	++
Petrol	-
Wear resistance	+++
Weather and ozone	+++

Dimensional drawings 



Values specified in the data sheet are tested at:

- Room temperature: (20° C [68° F] ± 3° C [5.5° F])
 - Standard atmosphere: (101.3 [29.9 inHg] ± 1.0 kPa [0.3 inHg])
 - Relative humidity: 0-100%
 - Compressed air quality: DIN ISO 8573-1 class 4
-

Accessories

3251001		Fitting M5 female, with dual flow control valve
0101152		Fitting G1/8" male/M5 female, with mesh filter
3251004		Fitting G1/8" male/M5 female, with dual flow control valve
3150196		Fitting G1/8" male/M5 female, PA
3250085		Fitting G1/8" male, with mesh filter
3251005		Fitting 5xM5 female, with dual flow control valve
0100260		Fitting 5xM5 female
3250088		Fitting 1/8" NPT male, with mesh filter
3251003		Fitting 1/8" NPT male, with dual flow control valve
3250004		Fitting G1/8" male/M5 female

Spare parts

0101139		Suction cup F20MF Thermoelastic polyurethane
3250003		Fitting M5 female