



Item no: 0101295

## Suction cup F25 Chloroprene, G1/8" male/M5 female

Suitable for flat objects such as cardboard, sheet metal, glass and porous materials. The cleats stop deformation by preventing suction of the object into the cup. The suction cup has good stability and very little movement. Also suitable when the lifting force is parallel to the surface as the cleats increase friction.

- Suitable for flat objects.
- Good stability and little inherent movement.
- Recommended when the lifting force is parallel to the surface of the object.
- Cleats prevent thin, sensitive objects from being deformed and gives extra friction when the lifting force is parallel.

### General

Application	Dry sheet metal
Suction cup shape	Flat
Material	Chloroprene (CR)
Suction cup model	F
Weight	1.8 g
Volume	1.1 cm <sup>3</sup>
Suction cup model	F25
Movement, vertical max.	1.2 mm
Curve radius, min.	22 mm



### Fitting

Fitting option	None
Fitting size	18, M5
Fitting style	Female/Male
Fitting type	G, M

Dimension

Height	16.5 mm
Outer diameter	27 mm


Performance - lifting forces

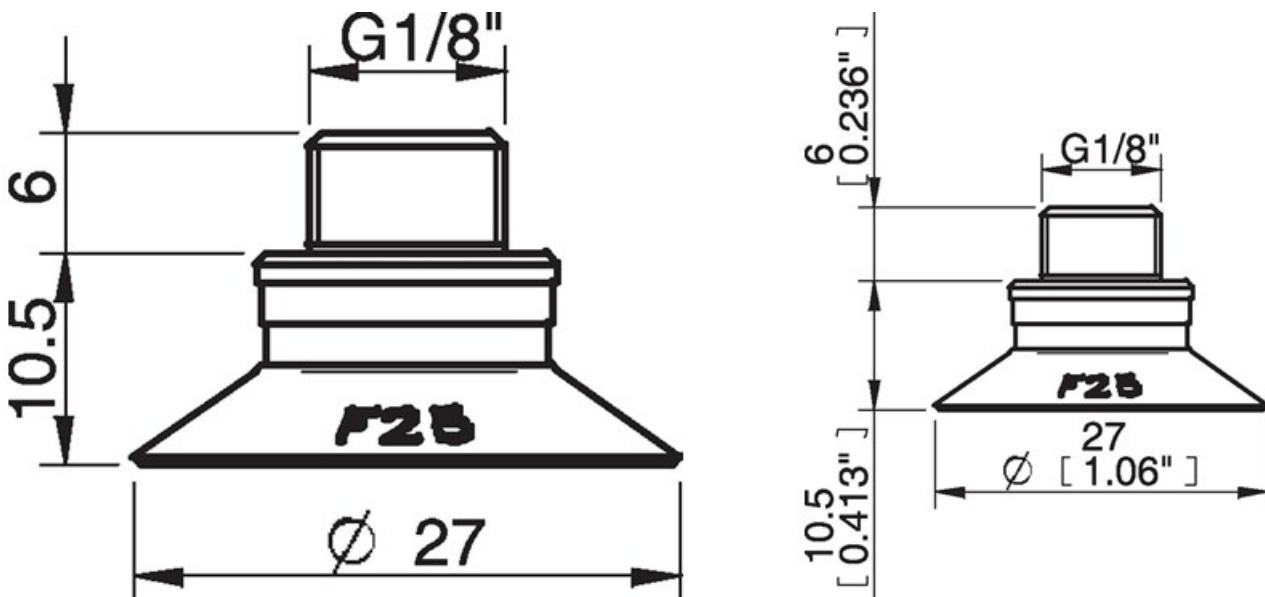
	F25		
20 -kPa		9 N	8 N
60 -kPa		19.5 N	9 N
90 -kPa		25 N	10 N

Material

Name	CR
Colour	Black
Temperature	-40 - 110 °C
Hardness	50 °Shore A

	CR
Alcohol	++
Concentrated acids	-
Ethanol	n/a
Hydrolysis	++
Methanol	n/a
Oil	+
Oxidation	++
Petrol	+
Wear resistance	+++
Weather and ozone	++

Dimensional drawings 



Values specified in the data sheet are tested at:

- Room temperature: (20° C [68° F] ± 3° C [5.5° F])
  - Standard atmosphere: (101.3 [29.9 inHg] ± 1.0 kPa [0.3 inHg])
  - Relative humidity: 0-100%
  - Compressed air quality: DIN ISO 8573-1 class 4
- 

#### Accessories

0101132		Suction cup F25 Silicone
3251001		Fitting M5 female, with dual flow control valve
3250003		Fitting M5 female
0101152		Fitting G1/8" male/M5 female, with mesh filter
3251004		Fitting G1/8" male/M5 female, with dual flow control valve
3150196		Fitting G1/8" male/M5 female, PA
3250085		Fitting G1/8" male, with mesh filter
3251005		Fitting 5xM5 female, with dual flow control valve
0100260		Fitting 5xM5 female
3250088		Fitting 1/8" NPT male, with mesh filter
3251003		Fitting 1/8" NPT male, with dual flow control valve

#### Spare parts

0101131		Suction cup F25 Chloroprene
3250004		Fitting G1/8" male/M5 female