



Item no: 9909668

Suction cup F30-2 Silicone FCM, 1/8" NPT male, with mesh filter

The material used is food grade silicone material. It is free from colour pigments, approved by FDA (FDA 21 CFR 177.2600.) and meets EU's regulation EU 1935/2004.(FDA approved). The cup is soft and pliable and can operate at a wide temperature range.

- The silicone material complies with FDA 21 CFR 177.2600 & EU 1935/2004.
- Suitable for flat objects.
- Good stability and little inherent movement.
- Recommended when the lifting force is parallel to the surface of the object.
- Cleats prevent thin, sensitive objects from being deformed and gives extra friction when the lifting force is parallel.

General

Application	Food contact materials (FDA & EU), non-detectable
Suction cup shape	Flat
Material	Silicone (SIL FDA)
Suction cup model	F
Weight	2.2 g
Volume	2 cm ³
Suction cup model	F30-2
Movement, vertical max.	1.4 mm
Curve radius, min.	25 mm

Fitting

Fitting option	Filter mesh
Fitting size	1/8"
Fitting style	Male
Fitting type	NPT-thread

Dimension

Height	21.4 mm
Outer diameter	32 mm

Performance - lifting forces

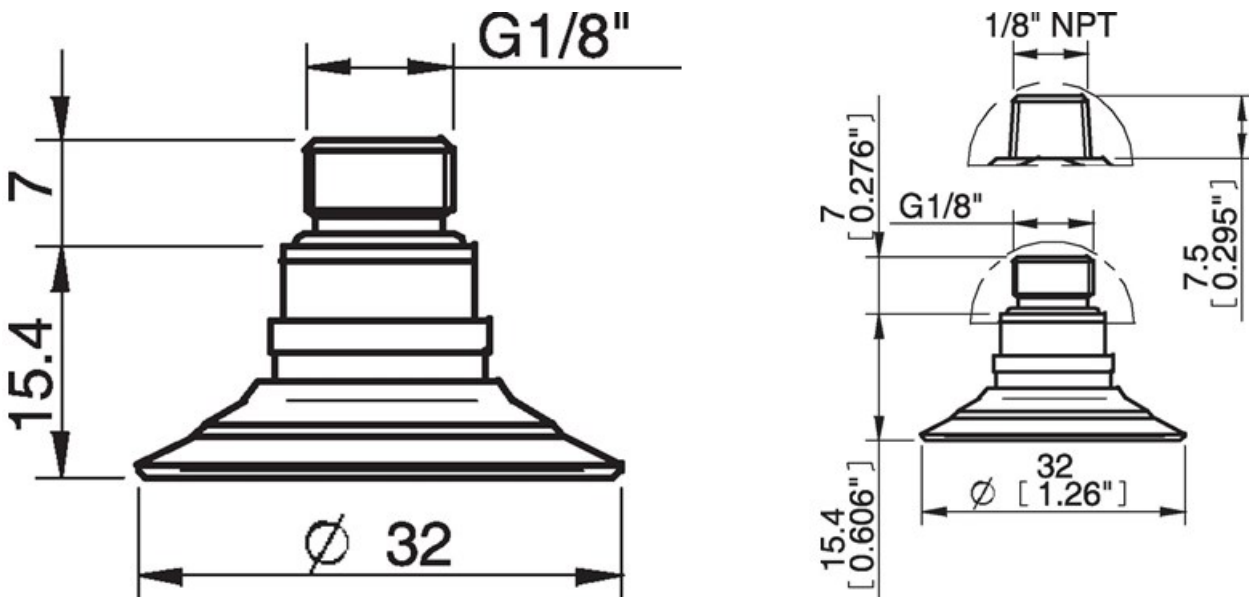
	F30-2	↕	↔
20 -kPa		12 N	11 N
60 -kPa		25 N	16 N
90 -kPa		31 N	20 N

Material

Name	SILFDA
Colour	Transparent
Temperature	-40 - 200 °C
Hardness	50 °Shore A

	SILFDA
Alcohol	++
Concentrated acids	-
Ethanol	n/a
Hydrolysis	+
Methanol	n/a
Oil	-
Oxidation	+++
Petrol	-
Wear resistance	++
Weather and ozone	+++

Dimensional drawings ☰



Values specified in the data sheet are tested at:

- Room temperature: (20° C [68° F] ± 3° C [5.5° F])
 - Standard atmosphere: (101.3 [29.9 inHg] ± 1.0 kPa [0.3 inHg])
 - Relative humidity: 0-100%
 - Compressed air quality: DIN ISO 8573-1 class 4
-

Accessories

3250085 | Fitting G1/8" male, with mesh filter

0101152 | Fitting G1/8" male/M5 female, with mesh filter

Spare parts

0200418 | Suction cup F30-2 Silicone FCM

3250088 | Fitting 1/8" NPT male, with mesh filter