

Item no: 0101585

Suction cup F40MF Thermoelastic polyurethane, 1/8" NPSF female

Suction cup of TPU, a mark-free material that leaves no trace on the object being handled. Suitable for flat surfaces. The cleats stop deformation by preventing suction of the object into the cup. The suction cup has good stability and very little movement. Also suitable when the lifting force is parallel to the surface as the cleats increase friction.

- Suction cup of TPU, a mark free material that leaves no trace on the object being handled.
- Suitable for flat surfaces.
- Good stability and little inherent movement.
- Recommended when the lifting force is parallel to the surface of the object.

General

Application	Mark Free
Suction cup shape	Flat
Material	Thermoplastic Polyurethane (TPE-U)
Suction cup model	F-MF
Weight	6 g
Volume	4.8 cm ³
Suction cup model	F40MF
Movement, vertical max.	1.8 mm
Curve radius, min.	60 mm



Fitting

Fitting option	None
Fitting size	1/8"
Fitting style	Female
Fitting type	NPSF-thread

Dimension

Height	21 mm
Outer diameter	42 mm


Performance - lifting forces

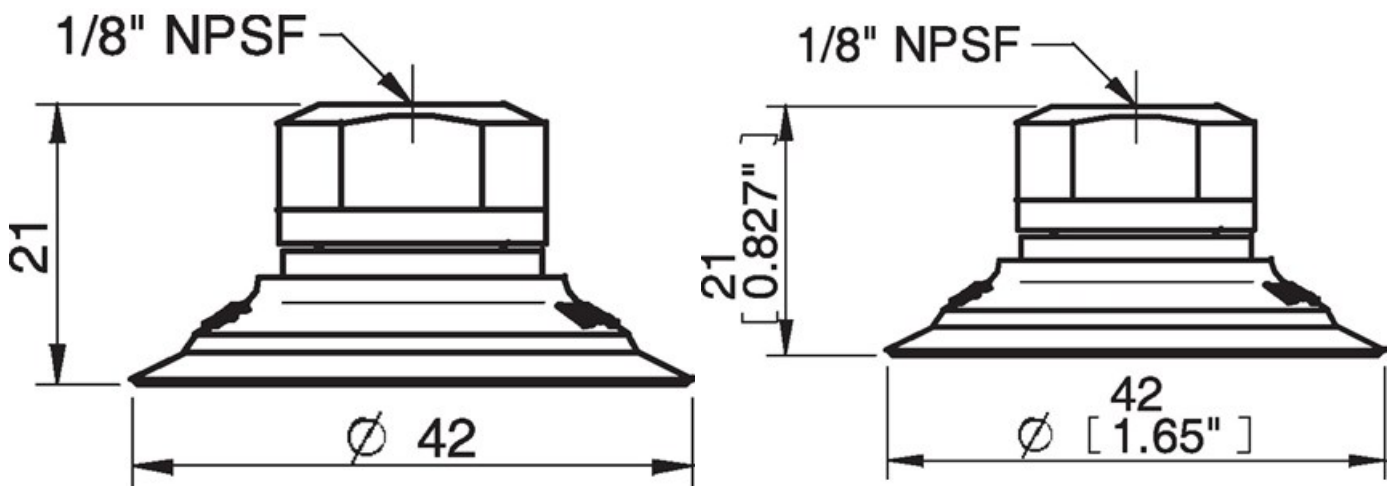
	F40MF		
20 -kPa		18 N	16 N
60 -kPa		57 N	49 N
90 -kPa		83 N	57 N

Material

Name	TPU
Colour	WhiteTransparent
Temperature	-20 - 80 °C
Hardness	81 °Shore A

	TPU
Alcohol	++
Concentrated acids	-
Ethanol	n/a
Hydrolysis	-
Methanol	n/a
Oil	+++
Oxidation	++
Petrol	-
Wear resistance	+++
Weather and ozone	+++

Dimensional drawings 



Values specified in the data sheet are tested at:

- Room temperature: (20° C [68° F] ± 3° C [5.5° F])
 - Standard atmosphere: (101.3 [29.9 inHg] ± 1.0 kPa [0.3 inHg])
 - Relative humidity: 0-100%
 - Compressed air quality: DIN ISO 8573-1 class 4
-

Accessories

- 3250086 | Fitting G3/8" male, 30–40, with mesh filter
- 3251009 | Fitting G3/8" male, 30–40, with mesh and dual flow control valve
- 3251007 | Fitting G1/4" male, 30–40, with mesh filter and dual flow control valve
- 3250091 | Fitting G1/4" male, 30–40, with mesh filter
- 3251011 | Fitting 5x1/8" NPSF female, 30–40, with dual flow control valve
- 0100261 | Fitting 5x1/8" NPSF female, 30–40
- 3250089 | Fitting 3/8" NPT male, with mesh filter
- 3251010 | Fitting 3/8" NPT male, with dual flow control valve
- 0101153 | Fitting 1/8" NPSF female, 30–40, with mesh filter
- 3251006 | Fitting 1/8" NPSF female, 30–40, with dual flow control valve
- 3150197 | Fitting 1/8" NPSF female, 30–40, PA
- 3250093 | Fitting 1/4" NPT male, with mesh filter
- 3251008 | Fitting 1/4" NPT male, with dual flow control valve

Spare parts

- 0101142 | Suction cup F40MF Thermoelastic polyurethane
- 3250005 | Fitting 1/8" NPSF female, 30–40