



Item no: 0101594

## Suction cup F40MF Thermoelastic polyurethane, 1/4" NPT male, with dual flow control valve

Suction cup of TPU, a mark-free material that leaves no trace on the object being handled. Suitable for flat surfaces. The cleats stop deformation by preventing suction of the object into the cup. The suction cup has good stability and very little movement. Also suitable when the lifting force is parallel to the surface as the cleats increase friction.

- Suction cup of TPU, a mark free material that leaves no trace on the object being handled.
- Suitable for flat surfaces.
- Good stability and little inherent movement.
- Recommended when the lifting force is parallel to the surface of the object.

### General

Application	Mark Free
Suction cup shape	Flat
Material	Thermoplastic Polyurethane (TPE-U)
Suction cup model	F-MF
Weight	6 g
Volume	4.8 cm <sup>3</sup>
Suction cup model	F40MF
Movement, vertical max.	1.8 mm
Curve radius, min.	60 mm



### Fitting

Fitting option	Dual flow control valve
Fitting size	1/4"
Fitting style	Male
Fitting type	NPT-thread

Dimension

Height	28 mm
Outer diameter	42 mm


Performance - lifting forces

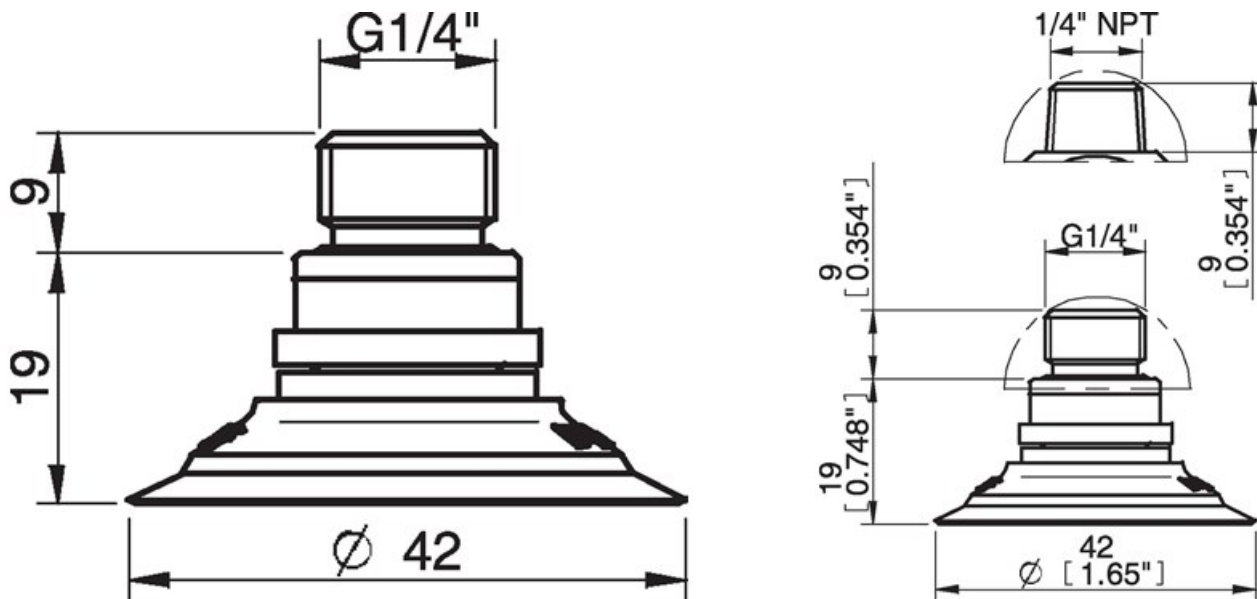
	F40MF		
20 -kPa		18 N	16 N
60 -kPa		57 N	49 N
90 -kPa		83 N	57 N

Material

Name	TPU
Colour	WhiteTransparent
Temperature	-20 - 80 °C
Hardness	81 °Shore A

	TPU
Alcohol	++
Concentrated acids	-
Ethanol	n/a
Hydrolysis	-
Methanol	n/a
Oil	+++
Oxidation	++
Petrol	-
Wear resistance	+++
Weather and ozone	+++

Dimensional drawings 



Values specified in the data sheet are tested at:

- Room temperature: (20° C [68° F] ± 3° C [5.5° F])
  - Standard atmosphere: (101.3 [29.9 inHg] ± 1.0 kPa [0.3 inHg])
  - Relative humidity: 0-100%
  - Compressed air quality: DIN ISO 8573-1 class 4
- 

#### Accessories

3250086	Fitting G3/8" male, 30–40, with mesh filter
3251009	Fitting G3/8" male, 30–40, with mesh and dual flow control valve
3251007	Fitting G1/4" male, 30–40, with mesh filter and dual flow control valve
3250091	Fitting G1/4" male, 30–40, with mesh filter
3251011	Fitting 5x1/8" NPSF female, 30–40, with dual flow control valve
0100261	Fitting 5x1/8" NPSF female, 30–40
3250089	Fitting 3/8" NPT male, with mesh filter
3251010	Fitting 3/8" NPT male, with dual flow control valve
0101153	Fitting 1/8" NPSF female, 30–40, with mesh filter
3251006	Fitting 1/8" NPSF female, 30–40, with dual flow control valve
3150197	Fitting 1/8" NPSF female, 30–40, PA
3250005	Fitting 1/8" NPSF female, 30–40
3250093	Fitting 1/4" NPT male, with mesh filter

#### Spare parts

0101142	Suction cup F40MF Thermoelastic polyurethane
3251008	Fitting 1/4" NPT male, with dual flow control valve