

Item no: 0101785

Suction cup F50MF Thermoelastic polyurethane, 1/8" NPSF female

Suction cup of TPU, a mark-free material that leaves no trace on the object being handled. Suitable for flat surfaces. The cleats stop deformation by preventing suction of the object into the cup. The suction cup has good stability and very little movement. Also suitable when the lifting force is parallel to the surface as the cleats increase friction.

- Suction cup of TPU, a mark free material that leaves no trace on the object being handled.
- Suitable for flat surfaces.
- Good stability and little inherent movement.
- Recommended when the lifting force is parallel to the surface of the object.

General

Application	Mark Free
Suction cup shape	Flat
Material	Thermoplastic Polyurethane (TPE-U)
Suction cup model	F-MF
Weight	10 g
Volume	10 cm ³
Suction cup model	F50MF
Movement, vertical max.	2.2 mm
Curve radius, min.	95 mm



Fitting

Fitting option	None
Fitting size	1/8"
Fitting style	Female
Fitting type	NPSF-thread

Dimension

Height	26.5 mm
Outer diameter	53 mm


Performance - lifting forces

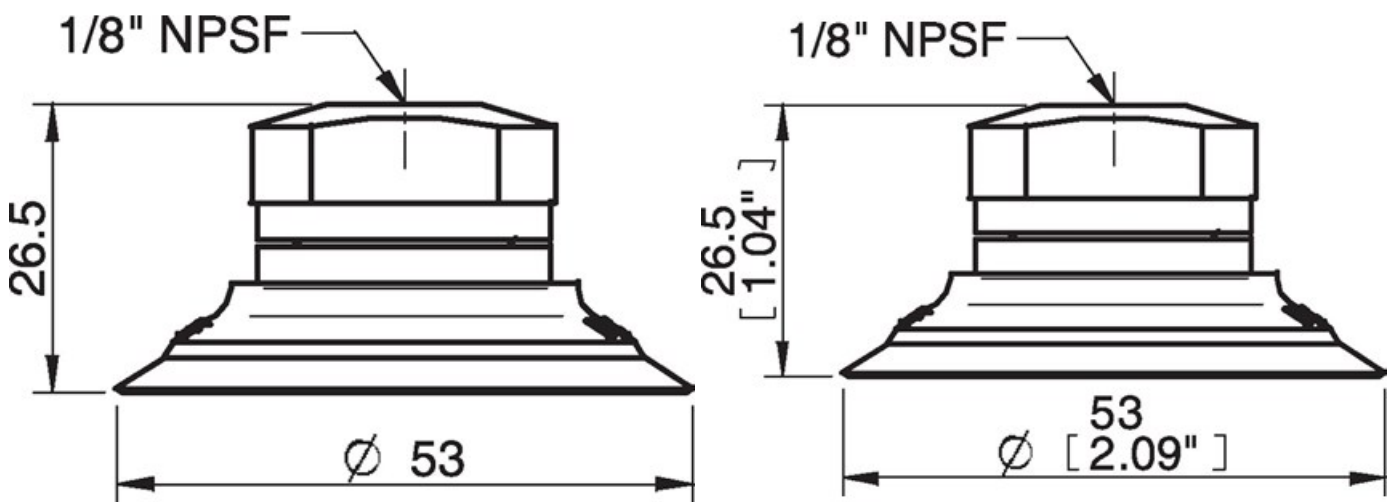
	F50MF		
20 -kPa		24.5 N	31 N
60 -kPa		92 N	82 N
90 -kPa		141 N	107 N

Material

Name	TPU
Colour	WhiteTransparent
Temperature	-20 - 80 °C
Hardness	81 °Shore A

	TPU
Alcohol	++
Concentrated acids	-
Ethanol	n/a
Hydrolysis	-
Methanol	n/a
Oil	+++
Oxidation	++
Petrol	-
Wear resistance	+++
Weather and ozone	+++

Dimensional drawings 



Values specified in the data sheet are tested at:

- Room temperature: (20° C [68° F] ± 3° C [5.5° F])
 - Standard atmosphere: (101.3 [29.9 inHg] ± 1.0 kPa [0.3 inHg])
 - Relative humidity: 0-100%
 - Compressed air quality: DIN ISO 8573-1 class 4
-

Accessories

3251015 | Fitting G3/8" male, 50, with mesh filter and dual flow control valve

3250087 | Fitting G3/8" male, 50, with mesh filter

3251013 | Fitting G1/4" male, with mesh filter and dual flow control valve

3250092 | Fitting G1/4" male, 50, with mesh filter

3251017 | Fitting 5x1/8" NPSF female, 50, with dual flow control valve

0100262 | Fitting 5x1/8" NPSF female, 50

3250090 | Fitting 3/8" NPT male, with mesh filter

3251016 | Fitting 3/8" NPT male, with dual flow control valve

0101154 | Fitting 1/8" NPSF female, 50, with mesh filter

3251012 | Fitting 1/8" NPSF female, 50, with dual flow control valve

3150198 | Fitting 1/8" NPSF female, 50, PA

3250094 | Fitting 1/4" NPT male, with mesh filter

3251014 | Fitting 1/4" NPT male, with dual flow control valve

Spare parts

0101143 | Suction cup F50MF Thermoelastic polyurethane

3250017 | Fitting 1/8" NPSF female, 50