



Item no: 3150031S

Suction cup B150 Silicone, G1/2" female Al, with mesh filter

Several short bellows cups in one lifting device can handle objects with height differences and varying shapes. The bellows also provide a slight lifting movement to separate thin items. Materials used are silicone, conductive silicone, chloroprene, HNBR and nitrile-PVC.

- Suitable for level adjustment. Several short bellows in one lifting device can handle objects with height differences and varying shapes, for example embossed or corrugated plates.
- The lifting movement can be used to separate small and thin objects.
- Only lightweight objects should be handled when the lifting force is parallel to the surface of the object, in order to achieve good precision and safe lifting movement.

General

Application	PlasticInjectionMoldedParts, DrySheetMetal
Suction cup shape	Bellows
Material	Silicone (SIL)
Suction cup model	B
Weight	265 g
Volume	650 cm ³
Suction cup model	B150
Movement, vertical max.	46.6 mm
Curve radius, min.	75 mm


Fitting

Fitting option	Filter mesh
Fitting size	1/2"
Fitting style	Female
Fitting type	G-thread

Dimension

Height	78.3 mm
Outer diameter	155 mm


Performance - lifting forces

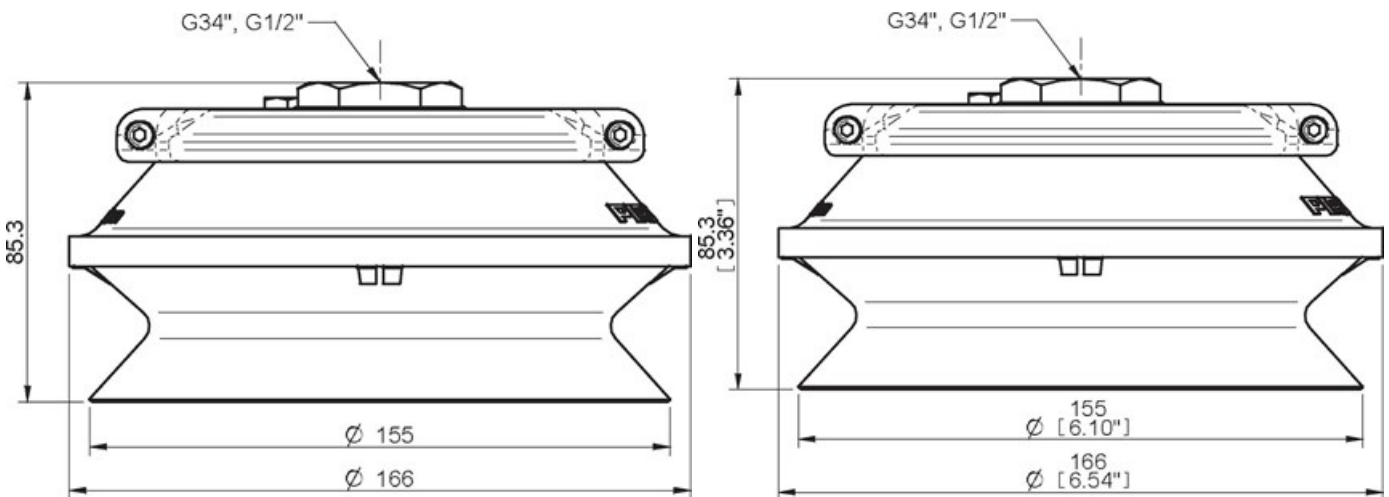
	B150	
20 -kPa		294 N
60 -kPa		686 N
90 -kPa		883 N

Material

Name	SIL
Colour	Red
Temperature	-40 - 200 °C
Hardness	50 °Shore A

	SIL
Alcohol	++
Concentrated acids	-
Ethanol	n/a
Hydrolysis	+
Methanol	n/a
Oil	-
Oxidation	+++
Petrol	-
Wear resistance	++
Weather and ozone	+++

Dimensional drawings 



Values specified in the data sheet are tested at:

- Room temperature: (20° C [68° F] ± 3° C [5.5° F])
 - Standard atmosphere: (101.3 [29.9 inHg] ± 1.0 kPa [0.3 inHg])
 - Relative humidity: 0-100%
 - Compressed air quality: DIN ISO 8573-1 class 4
-

Accessories

3150109P | Suction cup B150 Nitrile-PVC

3150109S | Suction cup B150 Silicone

3150036P | Suction cup B150 Nitrile-PVC

3250008 | Fitting G1/2" female Al, with mesh filter

0100567 | Fitting 150, G3/4" female, with mesh filter

Spare parts

0100564 | Fitting 150, G1/2" female, with mesh filter