

Bellows suction cup S.B15-2SF50.MM5M.00



- ▶ The lifting movement can be used to separate small and thin objects.
- ▶ Only lightweight objects should be handled when the lifting force is parallel to the surface of the object, in order to achieve good precision and safe lifting movement.
- ▶ Suitable for level adjustment.
- ▶ The silicone material complies with FDA 21 CFR 177.2600 & EU 1935/2004.

Lifting force

Description	Vertical			Parallel		
	20 -kPa	60 -kPa	90 -kPa	20 -kPa	60 -kPa	90 -kPa
Lifting forces	2.9 N	5.9 N	8.9 N	1.7 N	3.2 N	3.8 N

Technical data

Description	Unit	Value
Internal volume	cm ³	1.1
Weight	g	4
Min. curve radius -60 kPa	mm	5.0
Max. vertical movement	mm	6.7
Application	-	Food contact materials (FDA & EU), non-detectable,
Material	-	Silicone (SIL FDA)
Colour	-	Transparent
Suction cup model	-	B
Suction cup shape	-	Bellows
Hardness °Shore A	-	50 °Shore A
Temperature range (°C)	°C	-40 – 200
Actuated outer diameter, Max	mm	19

Fitting specification

Description	Value
Fitting size	M5
Fitting style	Male
Fitting type	M-Thread
Fitting material	CuZn, PA
Fitting option	None

Material resistance , Silicone FDA, SIL FDA

Description	Value
Alcohol	Good
Concentrated Acids	Poor
Ethanol	N/A
Hydrolysis	Fair

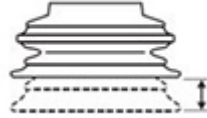
Methanol	N/A
Oil	Poor
Oxidation	Excellent
Petrol	Poor
Wear Resistance	Good
Weather & Ozone	Excellent

Values specified in data sheet are tested at:

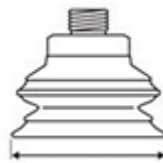
- Room temperature (20°C [68°F] ± 3°C [5.5°F]).
- Standard atmosphere (101.3 [29.9 inHg] ± 1.0 kPa [0.3 inHg]).
- Relative humidity 20-70%.
- Compressed air quality, DIN ISO 8573-1 class 4.



Internal volume



Max. vertical movement

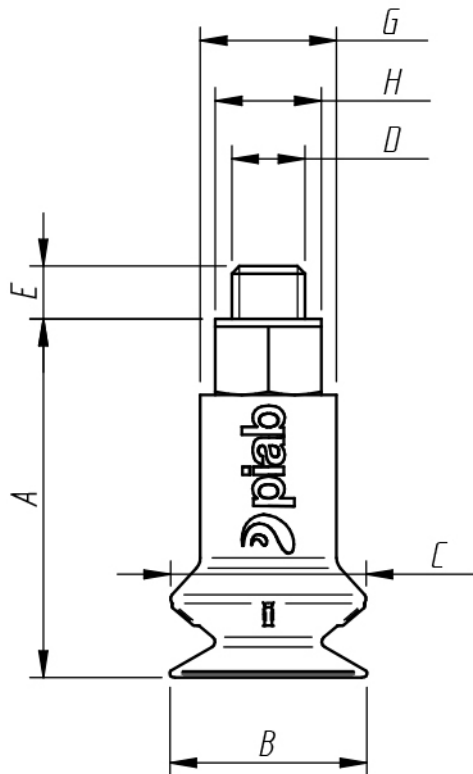


Diameter lip



Min. curve radius -60 kPa

Dimensional drawing



Product code	Description	Unit	Value
A	Building height	mm [inch]	24.8 [0.98"]
B	Diameter lip	mm [inch]	15.7 [0.62"]
C	Diameter (bellow)	mm [inch]	17.5 [0.69"]
D	Thread	-	10-32 UNF (M5)
E	Thread height	mm [inch]	3.5 [0.14"]
G	Diameter (upper part cup)	mm [inch]	9.0 [0.35"]
H	Keygrip	mm	SW 7

Ordering information

Description	Product code
Bellows suction cup , Ø 15mm model 2, Silicone FDA, SIL FDA, 50 °Shore A, M-Thread, M5, Male, None	S.B15-2SF50.MM5M.00

Ordering information, spare parts

Description	Art. No.
Fitting M5 male, 10-15	3107030
Suction cup B15-2 Silicone FCM	0200271

Ordering information, accessories

Description	Art. No.
Fitting G1/8" male	0213734
Suction cup B15-2 Chloroprene	3150230
Suction cup B15-2 Silicone	3150230S
Suction cup B15-2 HNBR	0128693